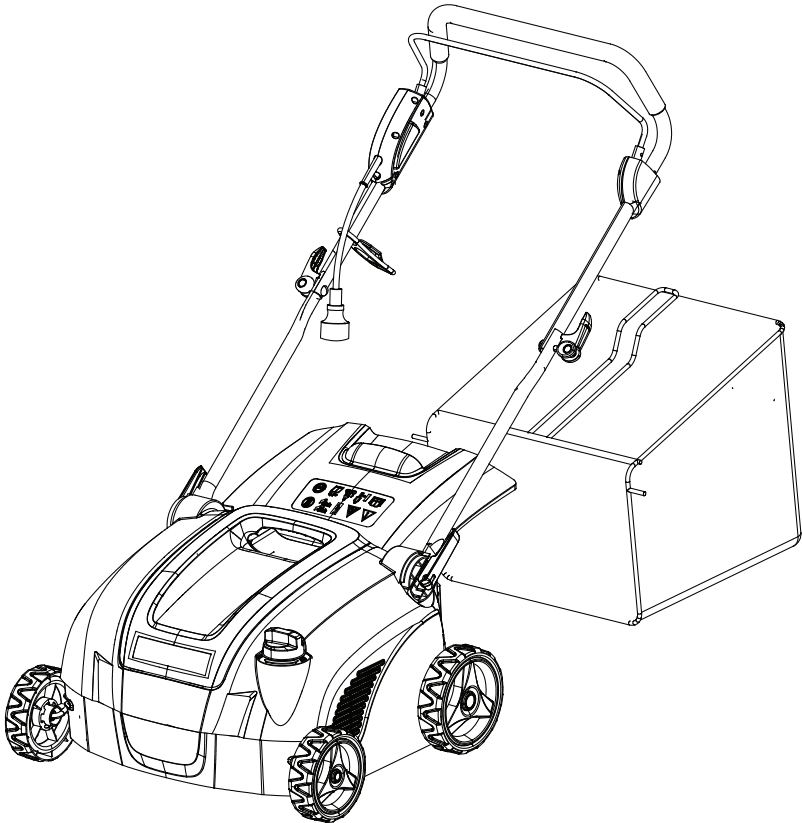




Electric Scarifier & Lawn Dethatcher Manual



WARNING:

Read carefully and understand all **INSTRUCTIONS** before operating. Failure to follow the safety rules and other basic safety precautions may result in serious personal injury. Save these instructions in a safe place and on hand so that they can be read when required. Keep these instructions to assist in future servicing.

TECHNICAL DATA

SKU#	GUT080
Rated Power	12A
Blade Length	15 "
Height of Cut	-0.43", -0.28", -0.11", 0.04", 0.20"
Grassbox Capacity	27QT
Protection Class	IPX4
Working Speed Of The Aerator Cylinder	4000RPM
Sound Power Level	99dB(A)
Vibration	31FT/s ²



Please read these operation instructions carefully and observe the notes given. Use these instructions to familiarize yourself with the Electric Lawn Rake, its correct use and the notes on safety.



For safety reasons, children under the age of 16 as well as persons not familiar with these operation instructions should not use this Electric Lawn Rake. Please keep these operation instructions in a safe place.

WHERE TO USE YOUR SCARIFIER AERATOR 2IN1

Intended Use

The 2 IN 1 Scarifier & Lawn Dethatcher is designed for aerating lawns and grassy areas in private domestic and hobby gardens. It is not designed for use in public facilities, parks, sporting grounds, on roads, in agriculture or forestry.

Please Note



To prevent injury, the Electric Lawn Rake must not be used for trimming bushes, hedges and shrubs. In addition, the Electric Lawn Rake must not be used for levelling irregularities in the soil.

FOR YOUR SAFETY

Please observe the notes on safety on the Electric Lawn Rake.



Warning!
Read instruction handbook!



Danger! Risk of injury!
Keep bystanders away!



Sharp prongs can cause injury!
Unplug from the mains before maintenance or if the mains lead is damaged.
Keep mains connection lead away from the lawn scarifier.

Checks before each use:

1. Inspect the Electric Lawn Rake before Each use.
2. Do not use the Electric Lawn Rake if Safety devices (starter lever,safety Interlock, rear flap, housing) are damaged or worn.
3. Never operate the unit with the safety devices by-passed or missing.
4. **Note:** Ensure that all nuts, bolts and screws Are tight and that the Lawn Rake is in good working order.
5. Inspect the area to be aerated before beginning work.
6. Check the working area for foreign objects (e.g.stones, branches,string) and remove If necessary.

Proper use / Responsibility:



Risk of injury!

The Lawn Rake can cause serious injuries!

1. Keep hands and feet away from the aerator cylinder.
2. You are responsible for the safety of the Purposes specified in these instructions.
3. Only work when visibility is good.
4. During use do not tip the unit and do not Open the rear flap.
5. Familiarise yourself with the surroundings of your working area. Check for possible risks which might be not audible due to the noise of the machine.
6. Wear sturdy shoes and long trousers toprotect your legs.
7. Ensure you keep your feet a safe distance from the moving parts.
8. Make sure that there are no other people (especially children) or animals anywhere near the working area.
9. Always push the Lawn Rake at a walking pace.
10. Operating position: Ensure that you have a Secure foothold when working.
11. Be particularly careful if you change direction on a slope.



Take extra care when walking backwards. You may stumble!

1. Do not use the Lawn Rake if it is raining or in moist, wet conditions.
2. Do not work close to the edge of swimming pools or garden ponds with the lawn rake Please observe any local restrictions relating to noise levels.

Electrical safety:

1. Keep the extension cable away from the aerator cylinder!
2. Never use the Electric Lawn Rake when it is raining.
3. Please observe the prescribed local quiet times.
4. The connection / extension cable must be checked regularly for damaged and signs Of wear and tear.
5. Disconnect the mains plug immediately if The connecting / extension cable is damaged. The coupling socket for the extension cable must be waterproof for protection from water splashes or the connection sockets for extension cables must be made of rubber or be encased in rubber.
6. Only use approved extension cables with an adequate cable cross-section. Ask your electrician.
7. Attachment fittings must be used for extension cables. For portable units, which are used outdoors, we recommend too use a residual-current device having a residual-current ratings≤ 30mA, In Switzerland use of a residualcurrent device is obligatory.

Interruptions of work:

1. Never leave the Electric Lawn Rake unattended at the working area.
2. If you interrupt your work store the unit in a Safe place. Disconnect the mains plugs! When you interrupt work in order to go to another working area, always switch off the Electric Lawn Rake
3. Rake during transport. Put The wear compensation lever in the transport Position.

If you come into contact with an obstruction during aerating:

1. Turn off the Electric Lawn Rake.
2. Remove the obstruction.
3. Check the Electric Lawn Rake for damaged and have it repair if necessary.

ASSEMBLY

1. Attach the cable hock ① to the upper handle ⑦ (See Fig. 3).
2. Insert the lower handle ② into the circumgyrate block ③. Then insert the knob ④ from outside through the hole in the lower handle ②. Attach the bolt in the Knob ④ to the Lawn Rake (See Fig. 2).
3. Insert the two locking bolts ⑤ from inside through the hole in the upper handle ⑦ and secure to the lower handle ⑤ with two wing nuts ⑥ (See Fig. 3).
4. Fitting Fully Assembled Grassbox to Lawnmower (See Fig. 4).
 - a. Lift the safety guard ⑧.
 - b. Make sure the discharge chute is clean and free from debris
 - c. Locate fully assembled grassbox onto location points at the rear of the deck as illustrated.
 - d. Locate safety flap onto the top of the grassbox.Ensure the grassbox is easy locate.

Note: For non grass collection the mower can be used without the grassbox in position, with the safety guard ⑧ in the down position.

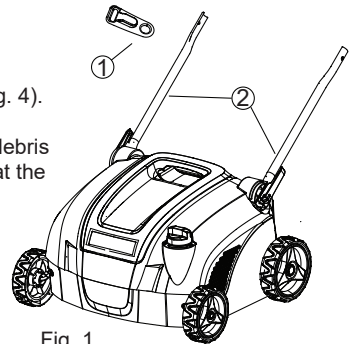


Fig. 1

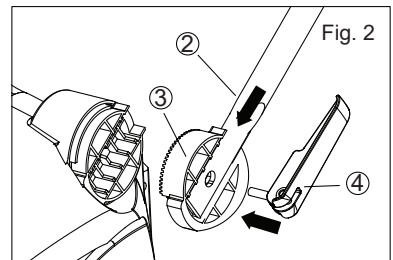


Fig. 2

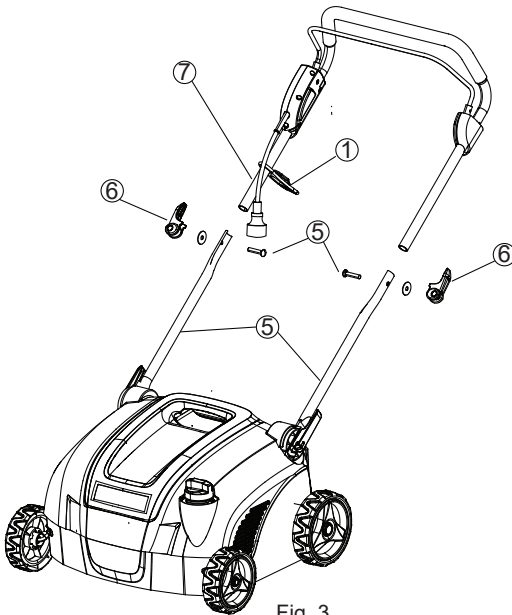


Fig. 3

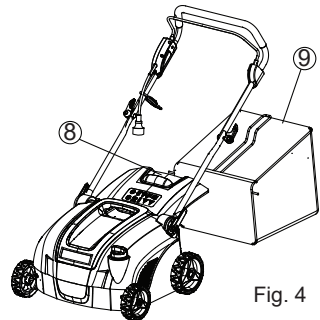


Fig. 4

OPERATION

Starting and Stopping:

Make sure the blade stopped rotating before switching “on” again.

Do not rapidly switch on and off.

Starting:

① Press and hold the safety button ①. Squeeze the switch lever ② towards the handle (See Fig. 5).

② Release the safety button

Stopping:

Release the switch lever ②

MAINTENANCE

Cleaning Aerator:



The aerator cylinder can cause injuries !

Prior to maintenance unplug from the mains and wait until the Aerator drum has stopped .

Wear working gloves for performing maintenance.

The Aerator should be cleaned after each time it is used.

Risk of injury and physical damage !



Do not clean Aerator under running water (particularly under high pressure).

Do not use hard or pointed objects for cleaning.

Remove grass and deposits from wheels,aerator cylinder and hosing.

Adjusting for wear:

1. The Aerator is subject to wear in use due to the way in which it works . The more intensively the Aerator is used , the greater the wear on the knives.
2. Hard or very dry ground accelerates wear as does excessive use of the Aerator.
3. If the results of your work with the Aerator become increasingly worse due to knife wear,the aerator cylinder can be adjusted twice.

The aerator cylinder has variable height adjustment position. When you want to move the aerator to outdoor, you should rotate the adjustment button ① to the “high” position.

Transport position:

Rotate the adjustment button ① to the “high” position getting away from the housing and move to the position required.

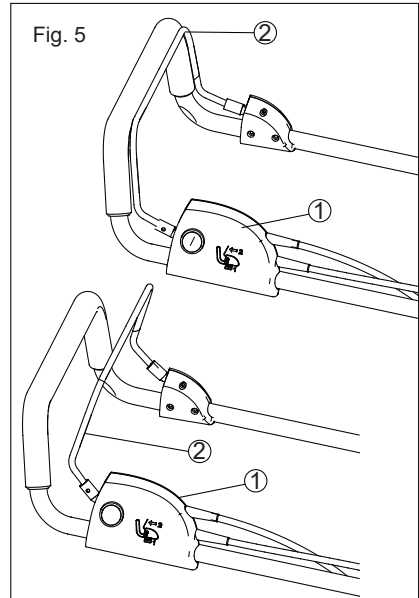


Fig. 5

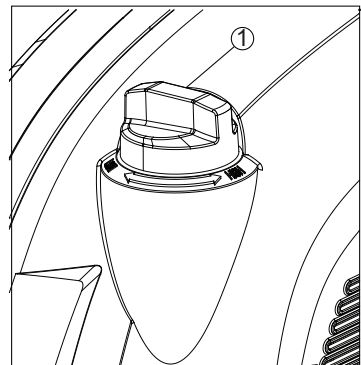


Fig. 6

TROUBLE-SHOOTING

Problem	PossibleCause	Corrective Action
Machine fails to operate	Power turned off Turn power on	Turn power on
	Mains socket faulty	Use another socket
	Extension cable damaged	Inspect cable, replace if damaged
	Possible clogging	Check underneath the machine and clear out as necessary (always wear gardening gloves)
	Raking/Verticutting too low for the conditions	Increase height of cut
	Obstructed rotor	Clear obstruction (always wear gardening gloves)
	Grassbag full	Empty the grassbag regularly
Machine functions intermittently	Extension cable damaged	Inspect cable, replace if damaged
	Internal wiring of machine damaged	Contact service agent
	Worn/Missing tines/blades	Contact service agent
	Conditions too wet	Increase height of cut
	Too much debris on the ground Possible clogging	See below* Check underneath the machine and clear out as necessary (always wear gardening gloves)
	Raking/ Verticutting too low for the conditions	Increase height of cut
	Grass too long	Cut grass
	Very uneven surface	Increase height of cut
	Grassbag full	Empty the grassbag regularly
Machine labours or belt squeals	Height of cut too low	Increase height of cut
Cutting tines/ blades not rotating	Cutting tines/blades obstructed by grass Belt is slipping or is damaged	Clear obstruction (always wear gardening gloves) Contact Service agent
Excessive vibrations/noise	Cutting tines/blades damaged	Contact Service agent
Poor collection	Raking/Verticutting in wet conditions	Increase height of cut
	Raking/Verticutting too low for the conditions	Increase height of cut
	Possible clogging	Check underneath the machine and clear out as necessary (always wear gardening gloves)

⚠DANGER

The aerator cylinder can cause injuries!

Prior to rectifying faults , unplug from the mains and wait until the aerator cylinder has stopped.
Wear working gloves when rectifying faults.

If the aerator cylinder is in wear adjustment position 3 and is worn , the aerator cylinder must be replaced.

1. Unscrew two screws (10) on the underside of the hosing.
2. Lift Scarifier blades cylinder (12) at an angle and pull away driver shaft.
3. Remove bearing shell (11) from the Scarifier blades cylinder (12)
4. Push bearing shell (11) on to the new Scarifier blades cylinder (12)
5. Push new aerator cylinder (12) on to the driver shaft in such a way that the pin (14) is inserted in the gap in the drive shaft (15)
6. Screw bearing shell (11) to the underside of the housing without tightening too much.
7. There is another aerator cylinder (13) for exchange.

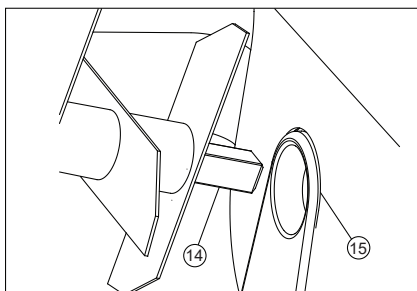
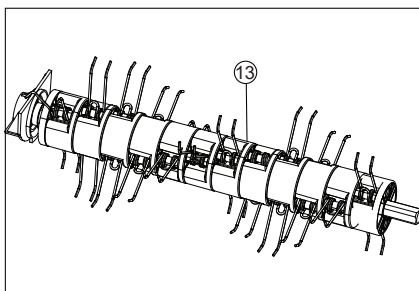
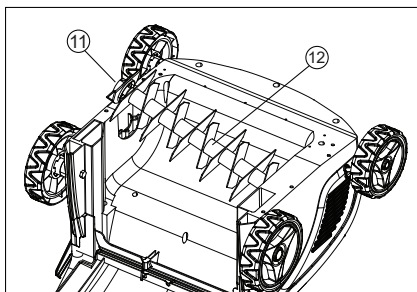
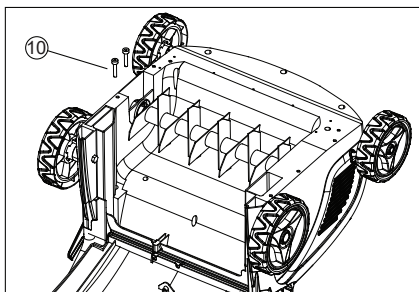
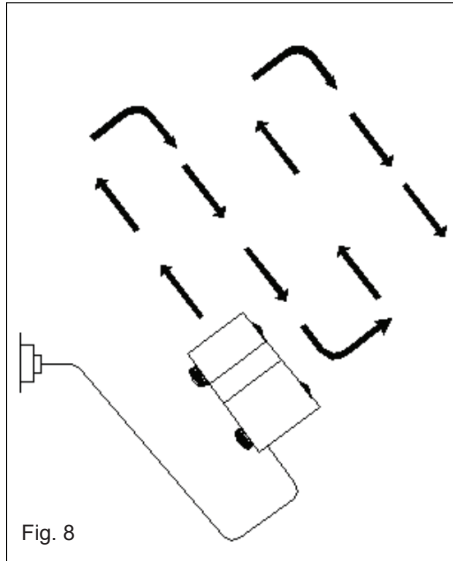


Fig. 7

MOVING

For cutting convenience, it may be best to start mowing at a point close to the power supply and to work your way away from the supply. Mow the lawn at a right angle from the power supply and place the power cable to side which has already been cut (See Fig. 8).



⚠ WARNING

When mowing do not allow the motor to labour particularly in heavy conditions. When the motor labours the speed of the motor drops and you will hear a change in the motor sound, when this occurs stop mowing, release the switch lever and raise the height of cut. Failure to do so could damage the machine.

NOTE: the motor is protected by a safety cut out which is activated when the blade becomes jammed or if the motor is overloaded. **When this occurs, stop the machine and remove the plug from the power supply. The safety cut out will only reset when the switch lever 10 is released. Clear any obstruction and wait for a few minutes for the safety cut out to reset before continuing to mow. At this time do not operate the switch lever 10 as this will prolong the reset time of the safety cut out. If the mower cuts out again, increase the height of cut to reduce the load on the motor.**



Great Circle USA
Support Line: 1-866-493-0524
help@greatcircleus.com
www.greatcircleus.com