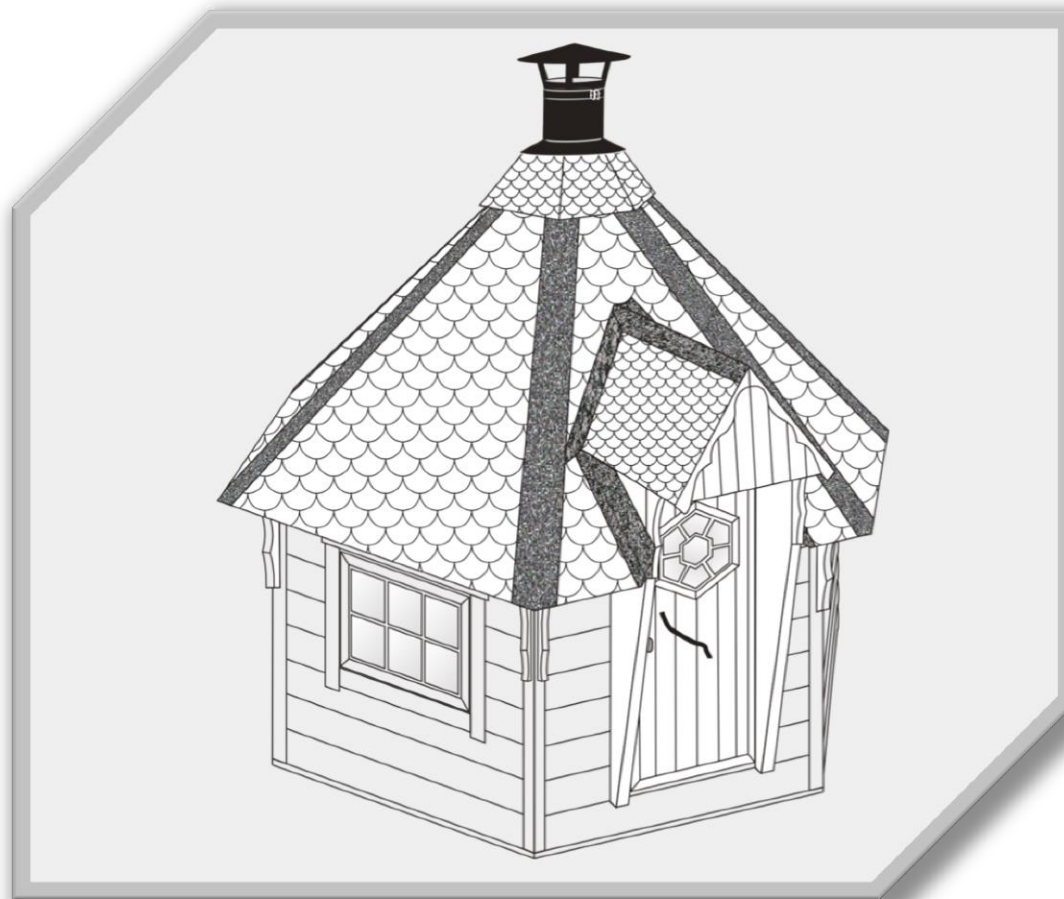


Assembly Instruction

9,2 m² Grillkota



Dear customers,

Thank you for purchasing our product. We recommend that you read these instructions before installation and make the necessary preparations for building.

We wish you plenty of pleasure with your new product.

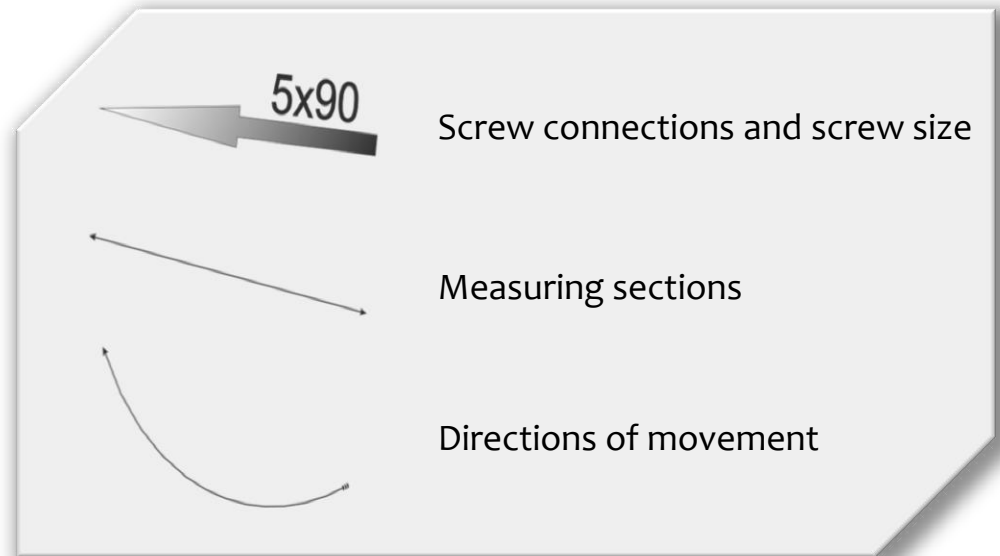
For the construction of the following is required:

- Two to three people
- Cordless screwdriver and matching bits
- Measuring tape min. 5 m
- Jigsaw
- Handsaw
- Utility knife with hooked blades
- Hammer
- Roofing nails
- Drill 5.5 mm
- Drill 2.0 mm
- Spirit level
- Angle
- Silicone
- Caulking Gun

Optionally the following is required:

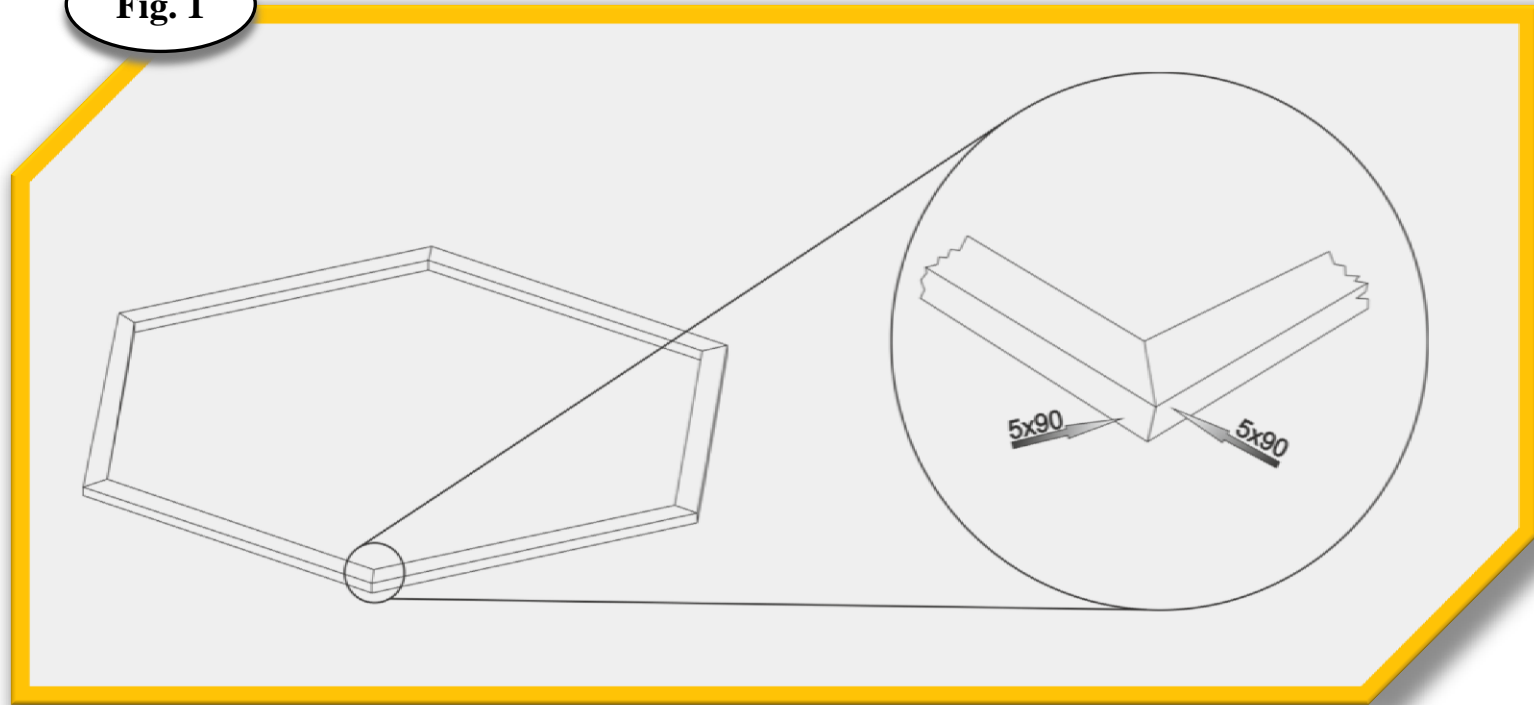
- Electric or pneumatic stapler
- Staples

Legend:



The base frame

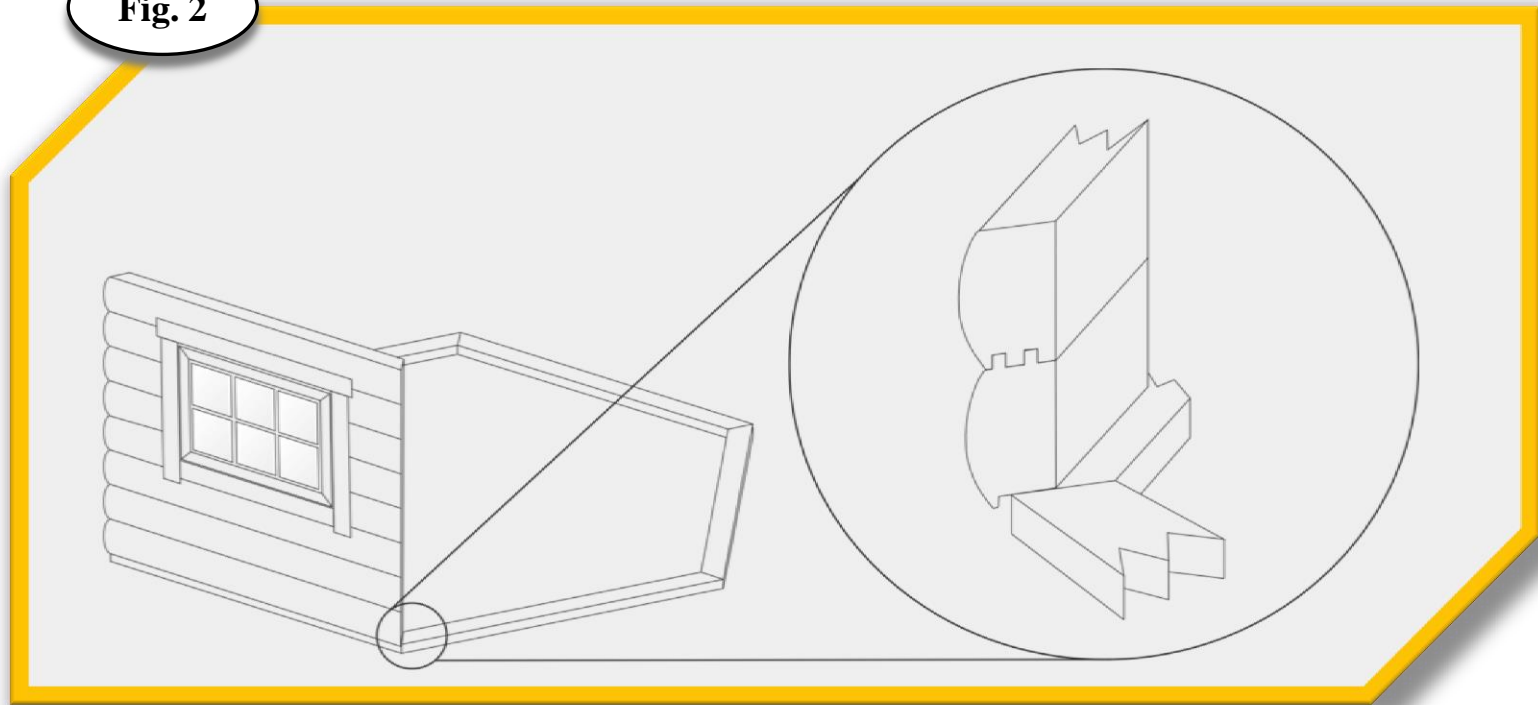
Fig. 1



Lay the base frame onto the foundation and screw together the connections with two 5x90 screws each.

The first wall

Fig. 2

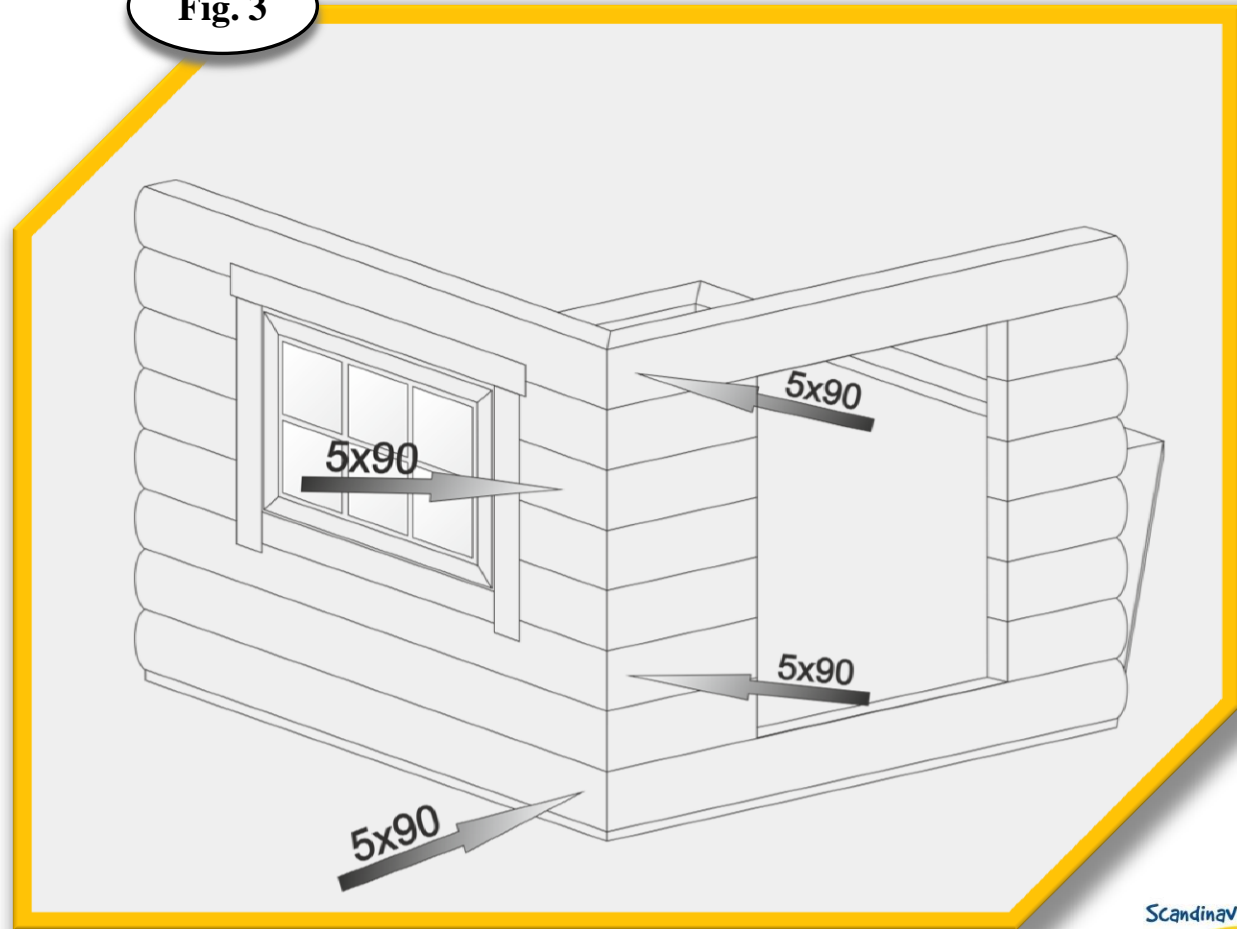


Now decide where you want to position the door and the window. Put the first wall with the drop edge at the bottom (see fig.) onto the base frame.

The second wall

Add a second wall and screw them together. Depending on the wall height use at least four 5x90 screws. !!! Pay attention that the top edges of the walls are flush. !!!

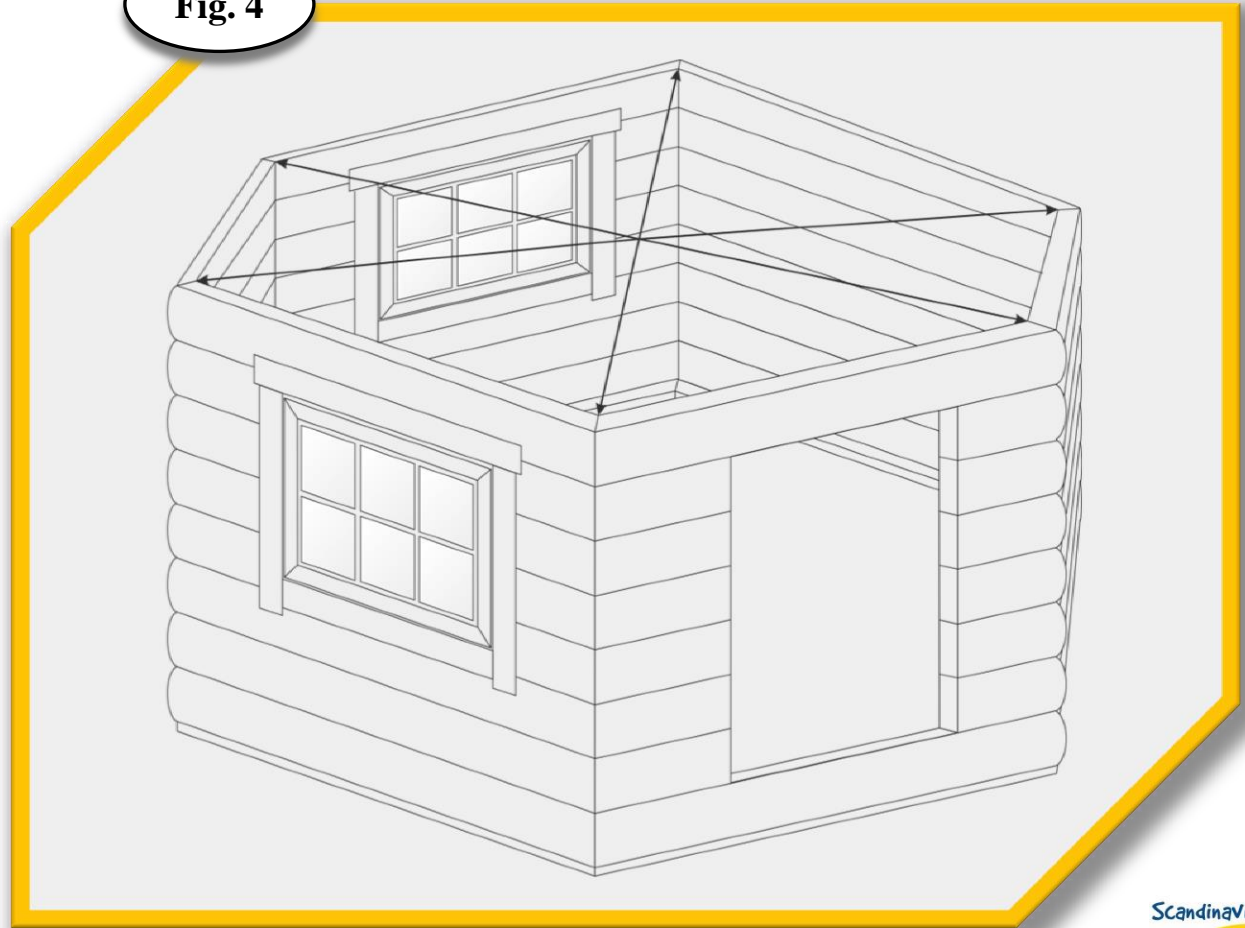
Fig. 3



Measure the diagonals

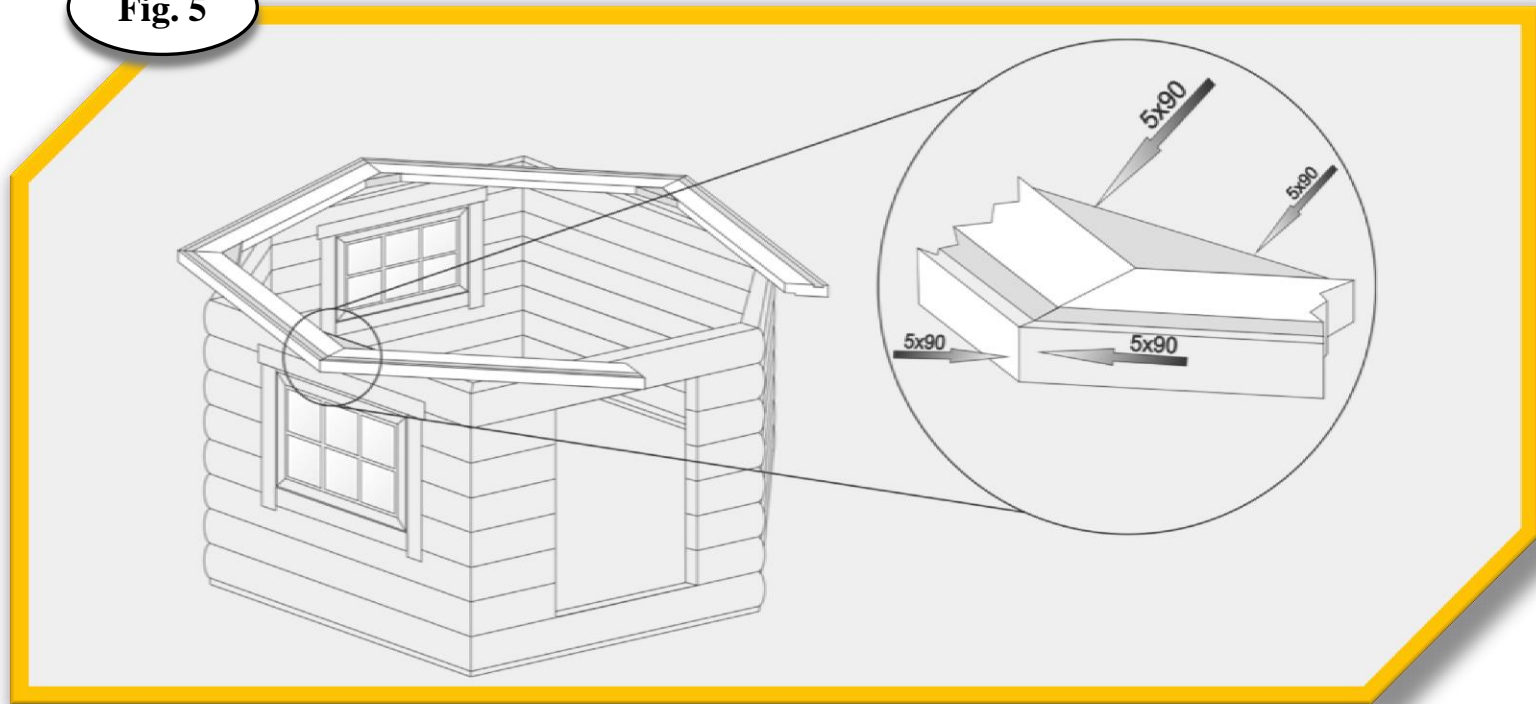
Fig. 4

When all walls are erected, check again for proper position on the foundation and measure the diagonals. The diagonals must be approximately equal.



Overhanging edges

Fig. 5

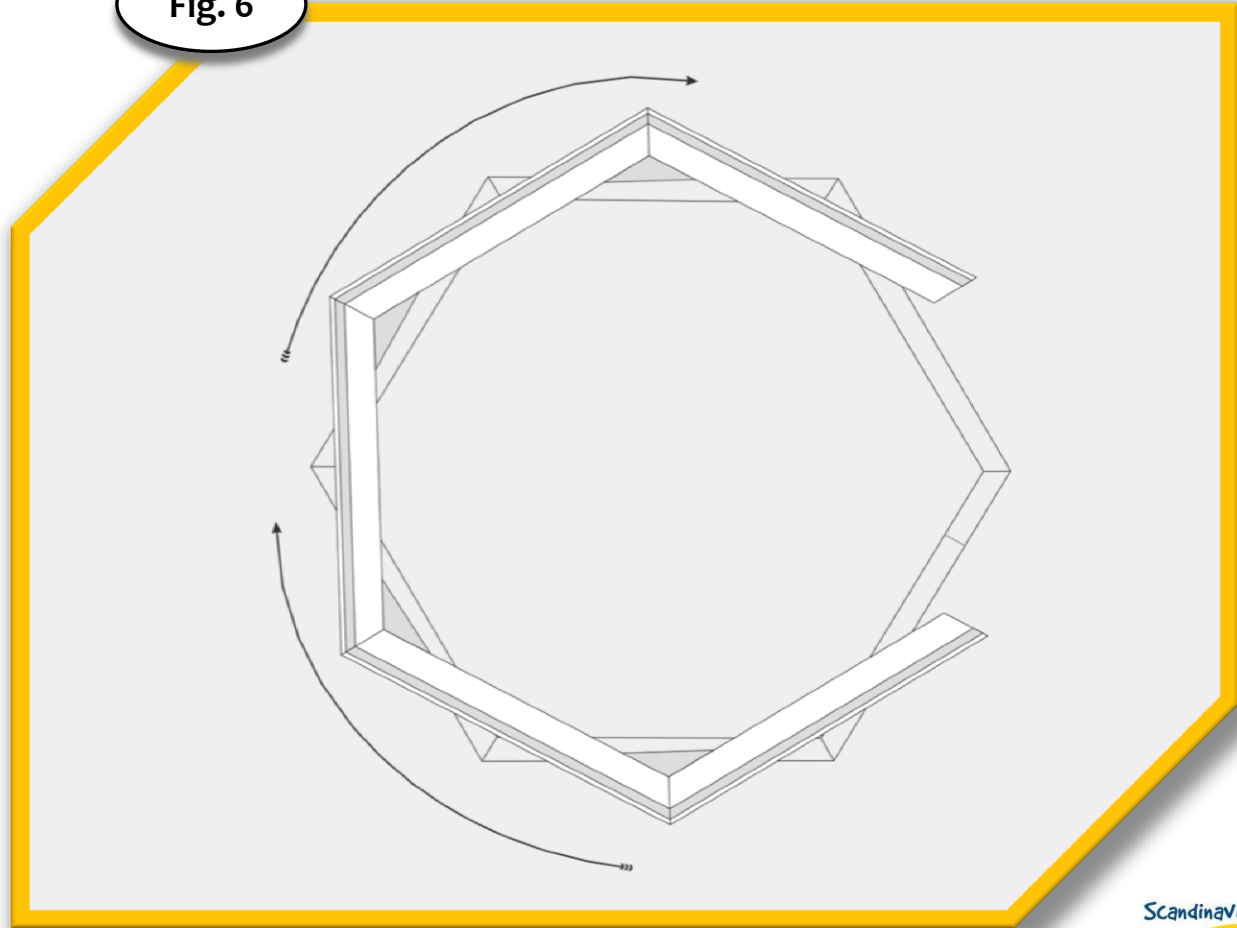


Lay out the overhanging edges as shown and fasten them using two 5x90 screws each. Screw the inner corners with two 5x90 screws in the overhanging edge.

Turn the overhanging edge

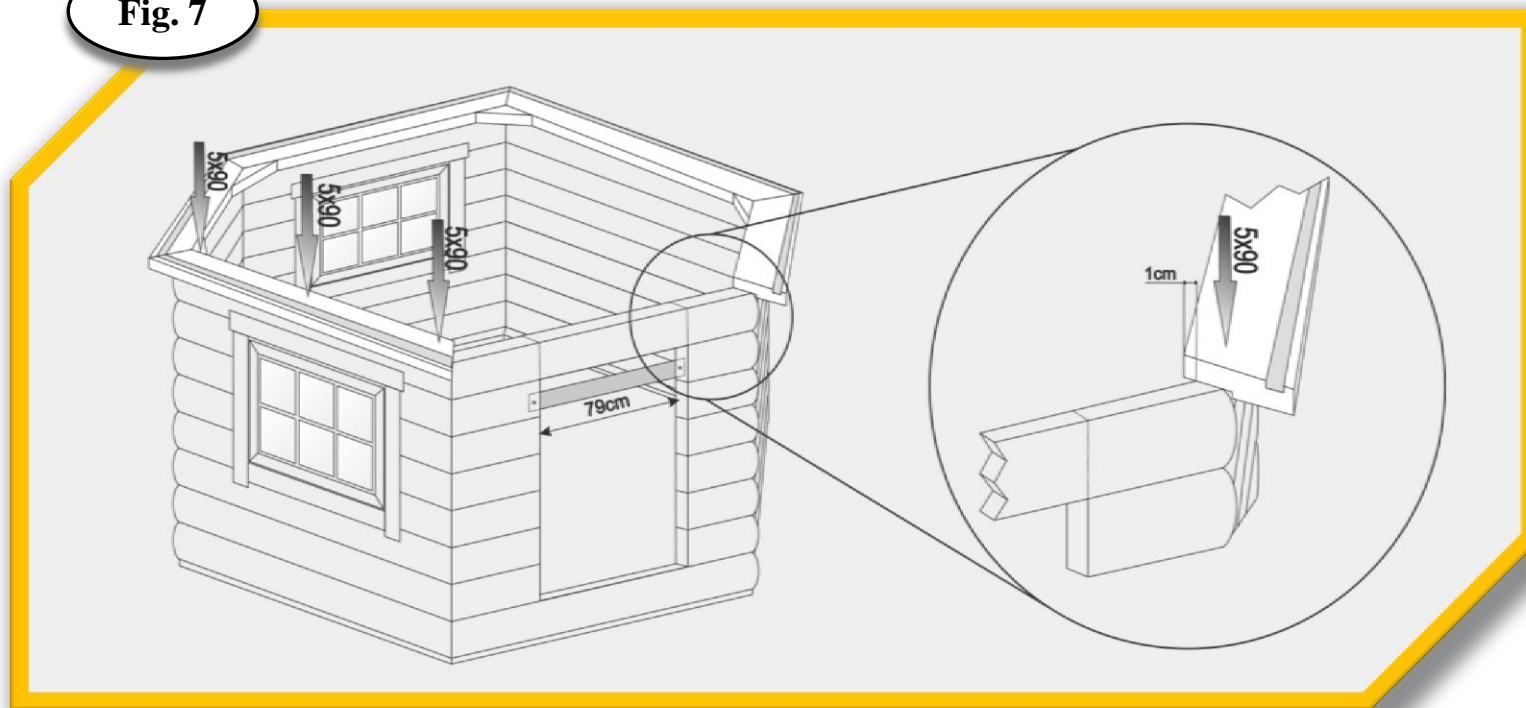
Turn the overhanging edge so that the opening is positioned at the door.

Fig. 6



Screw the overhanging edge

Fig. 7



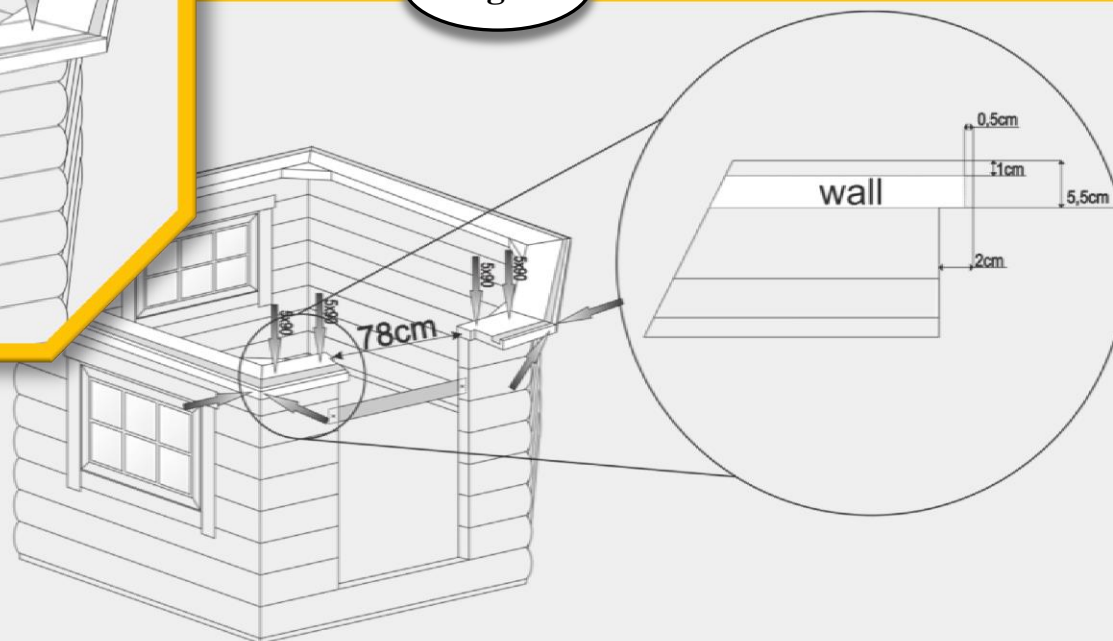
Screw the overhanging edge to the left and the right of the door as shown in the magnification. Align the overhanging edge and fasten each component with three 5x90 screws each. Remove the top plank from the door element and replace with board.

Cut and screw the short overhanging edge

Fig. 8



Fig. 9

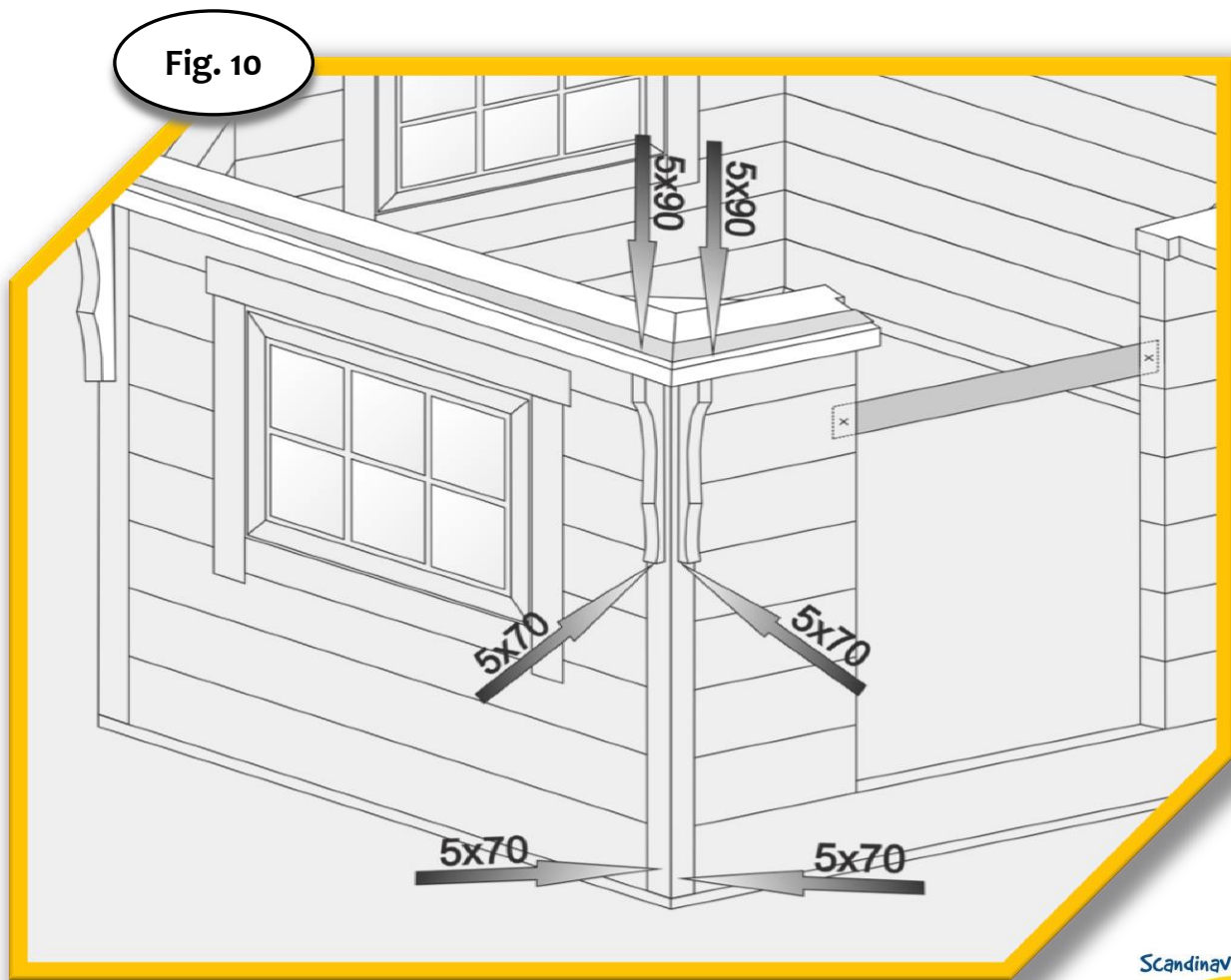


Fasten the two short overhanging pieces with one screw each and mark off the measurements as described in the magnification. Using the jigsaw saw the components to size and fasten them using two 5x90 screws each.

Fix the outer corners

Fig. 10

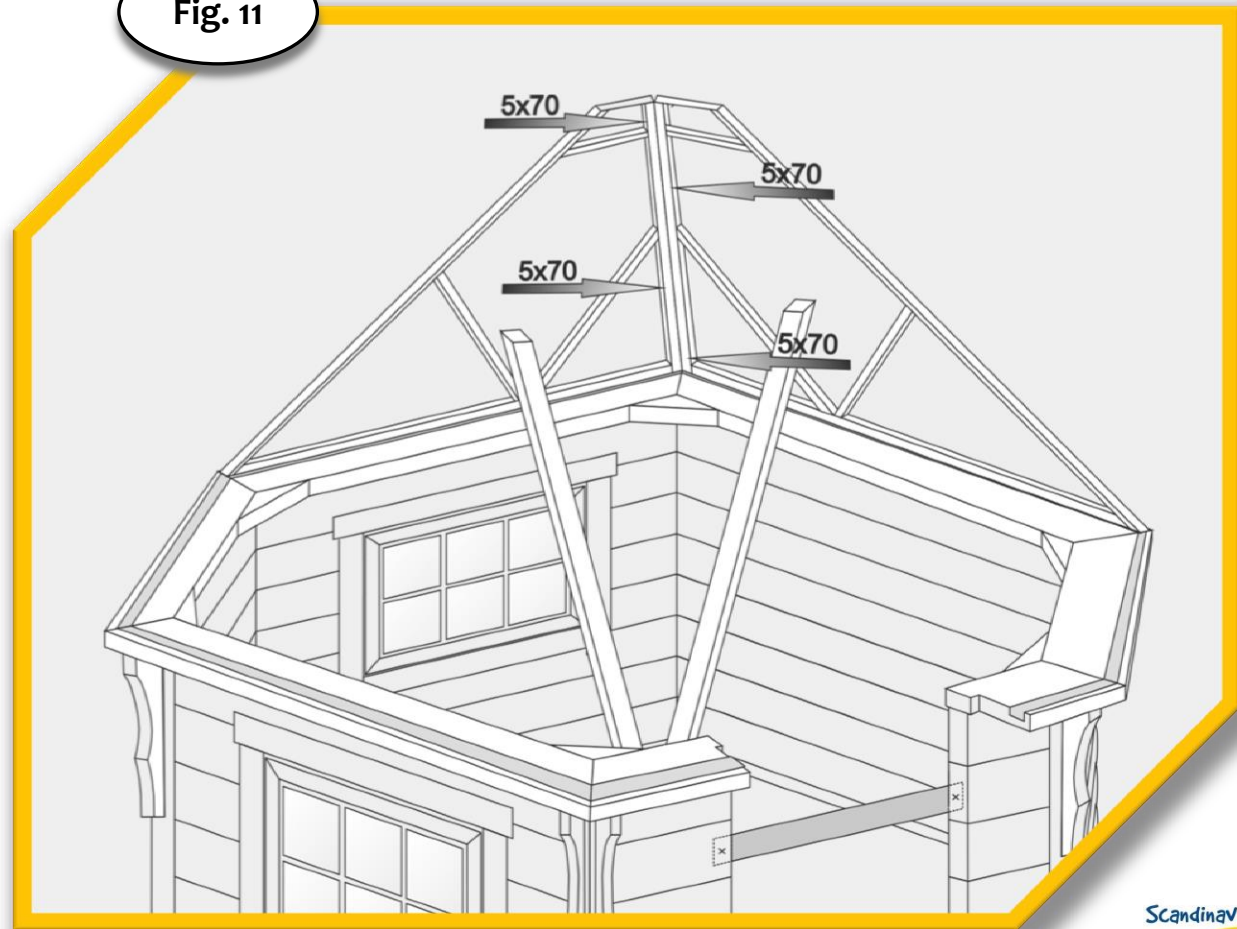
Fasten the outer corners with four 5x70 screws each and two 5x90 screws from the top through the overhanging edge.



Erect the first roof elements

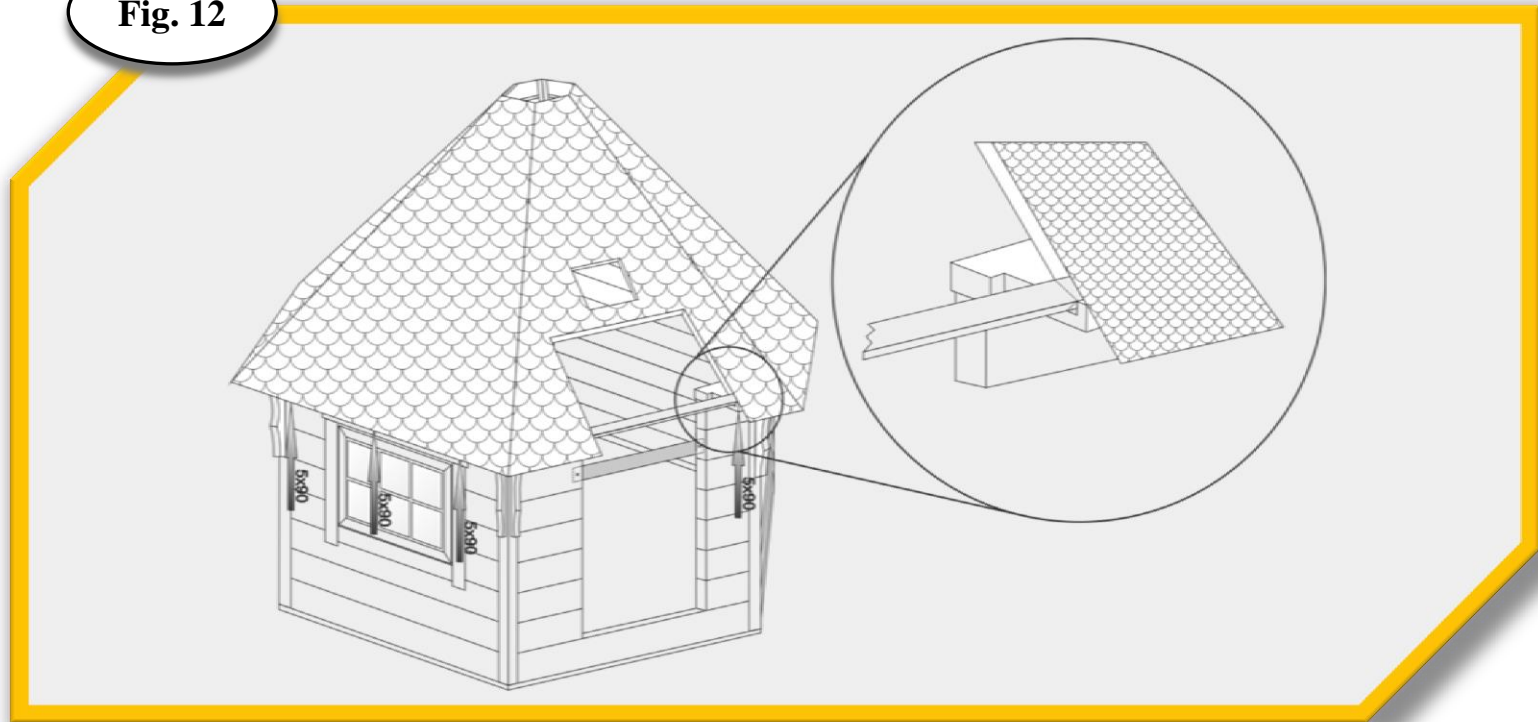
Fig. 11

Erect the first two roof elements and support these using the bench holders or the floor substructure. Fasten the roof elements at the trapezoids from bottom to top with at least four 5x70 screws.



Fix the roof elements

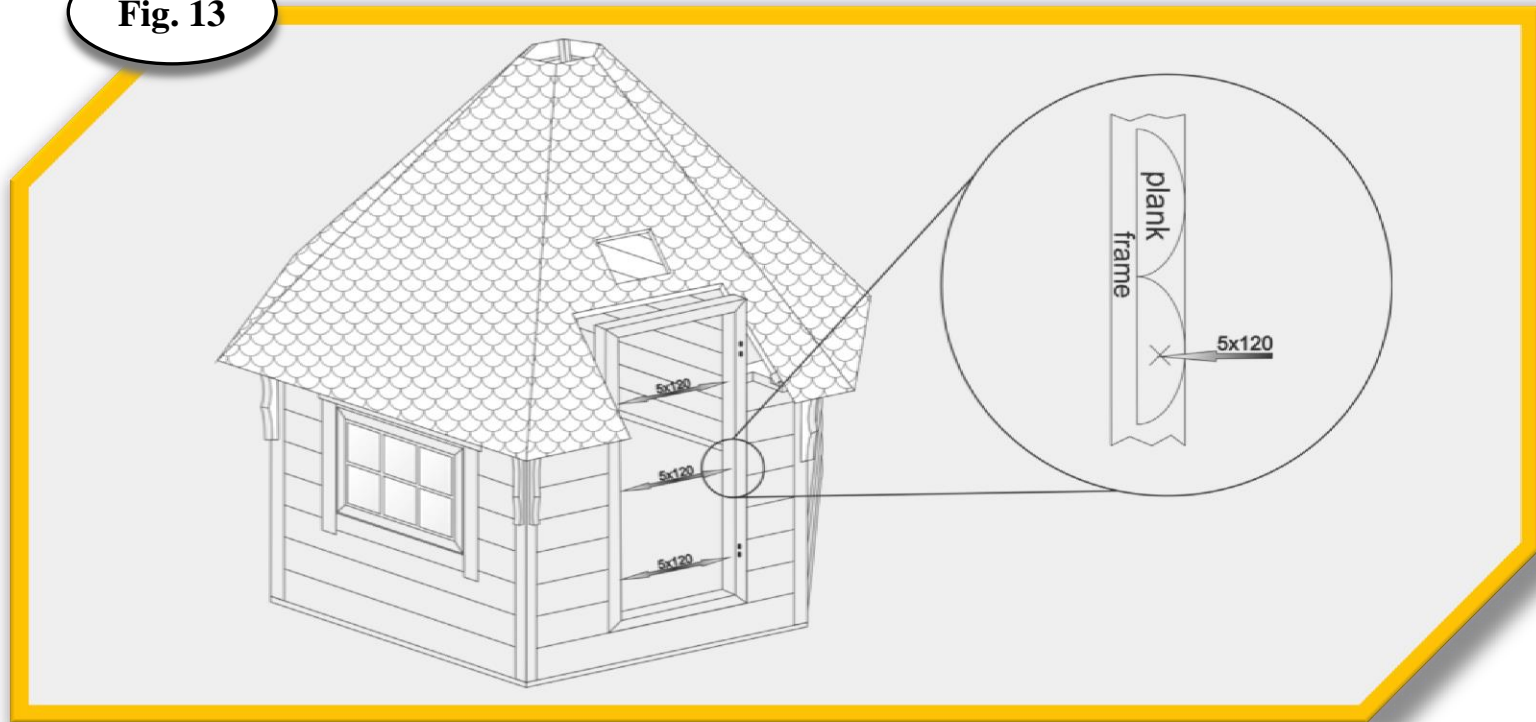
Fig. 12



Fasten the roof elements from the bottom through the overhanging edge with three 5x90 screws each. Cut the plank from the door element flush with the cutout of the overhanging edge.

Insert the door frame

Fig. 13

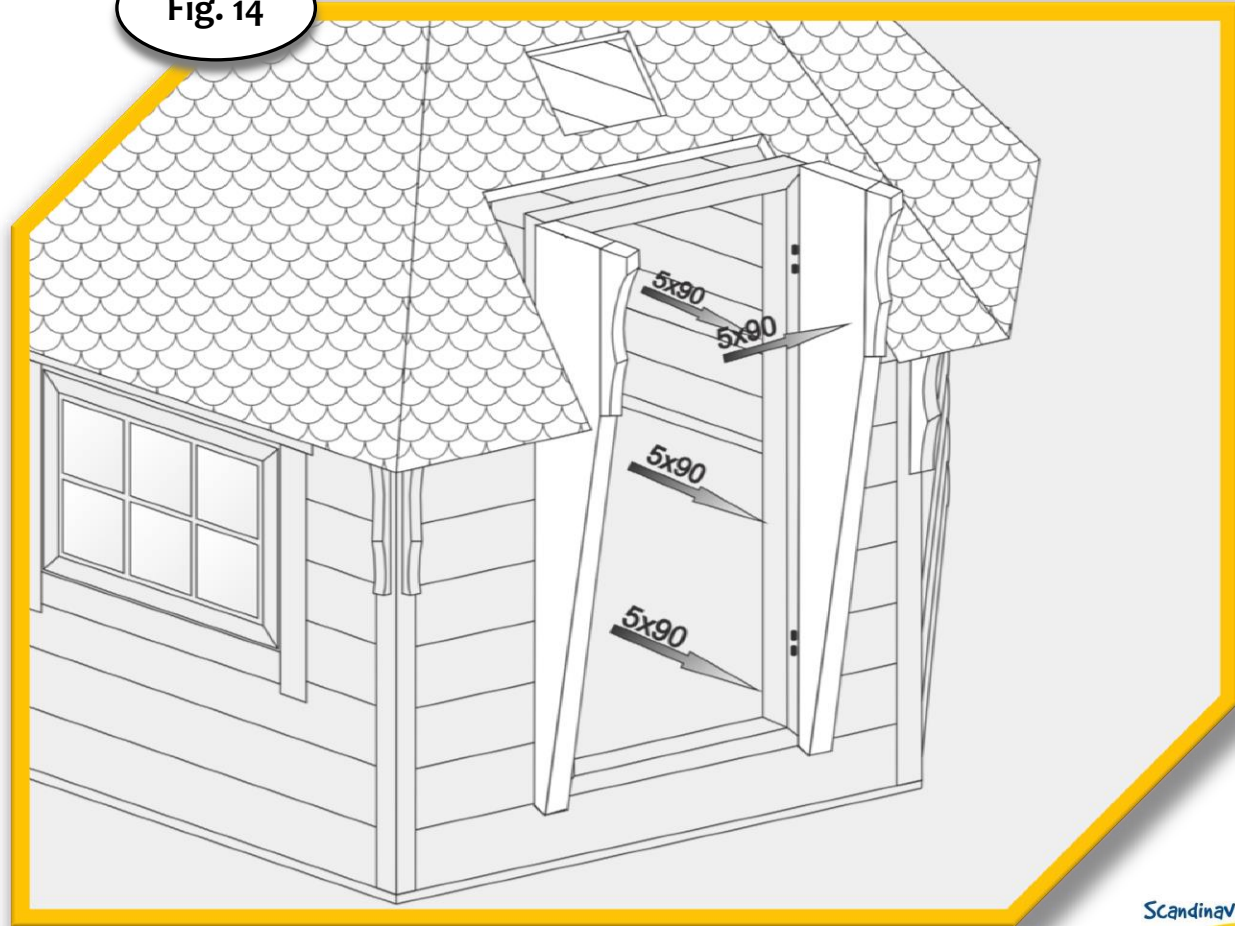


Remove the board from the door cut out. Insert the door frame and drill holes at the indicated positions using a 5.5 mm drill. Fasten the frame with 5x120 screws on the outer side flush with the planks.

The door planks

Fig. 14

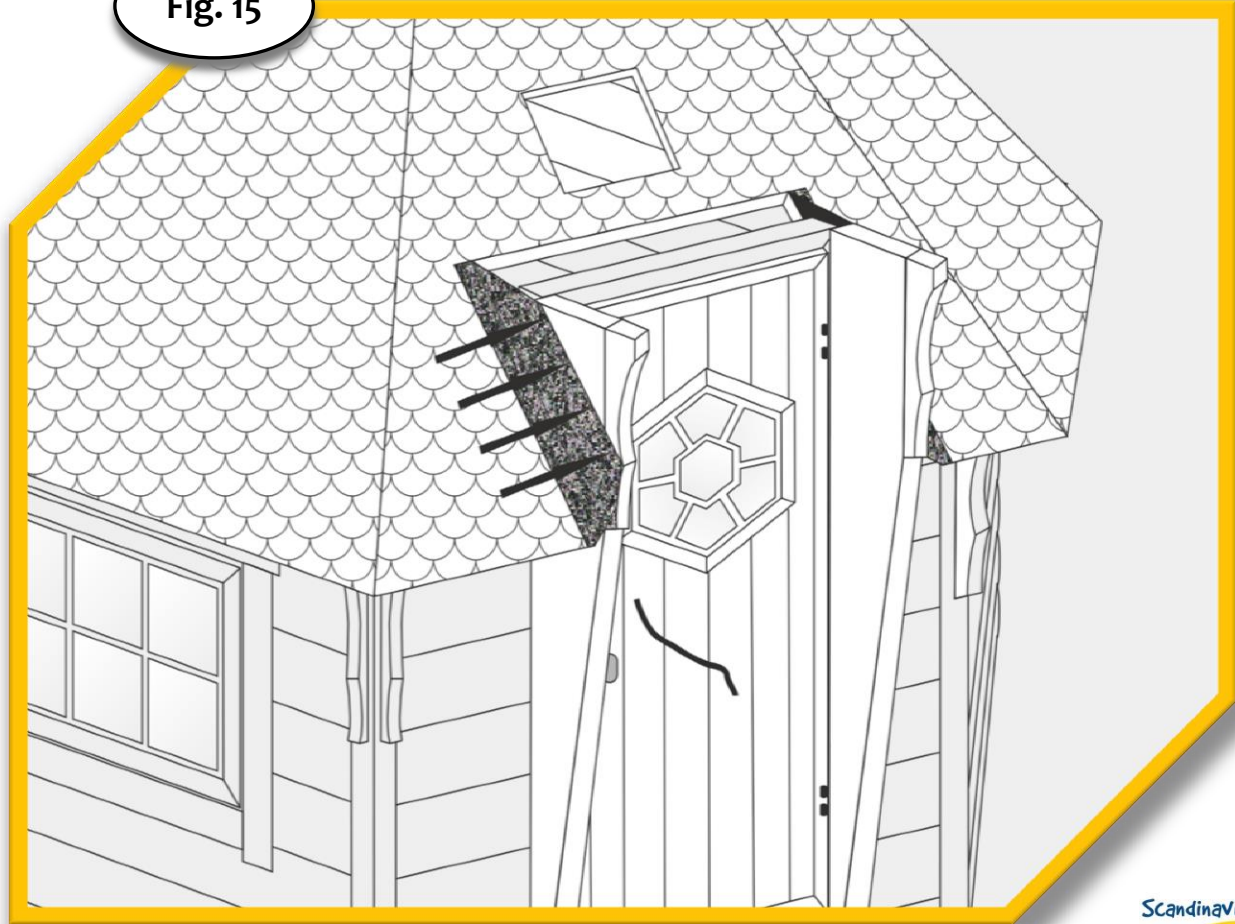
Position the door planks at the top flush with the door frame and fasten these with three 5x90 screws each from the inside through the wall. Fasten another 5x90 screw through the door plank into the overhanging edge.



Paper laterally at the door

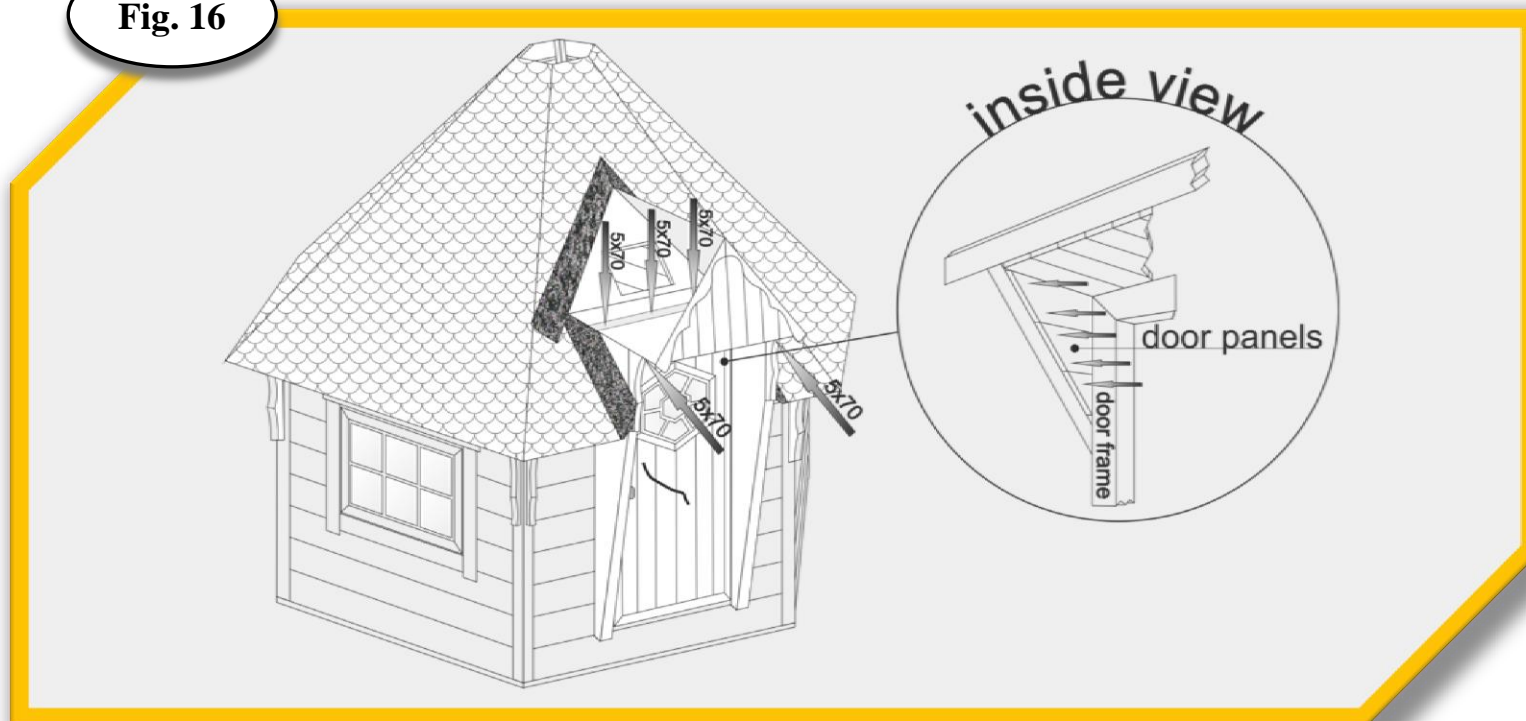
Fig. 15

Nail the tar paper laterally to the door plank and cut these cleanly and carefully at the ornamentation. Cut the tar paper at the top flush with the door plank.



Canopy roof and door panels

Fig. 16

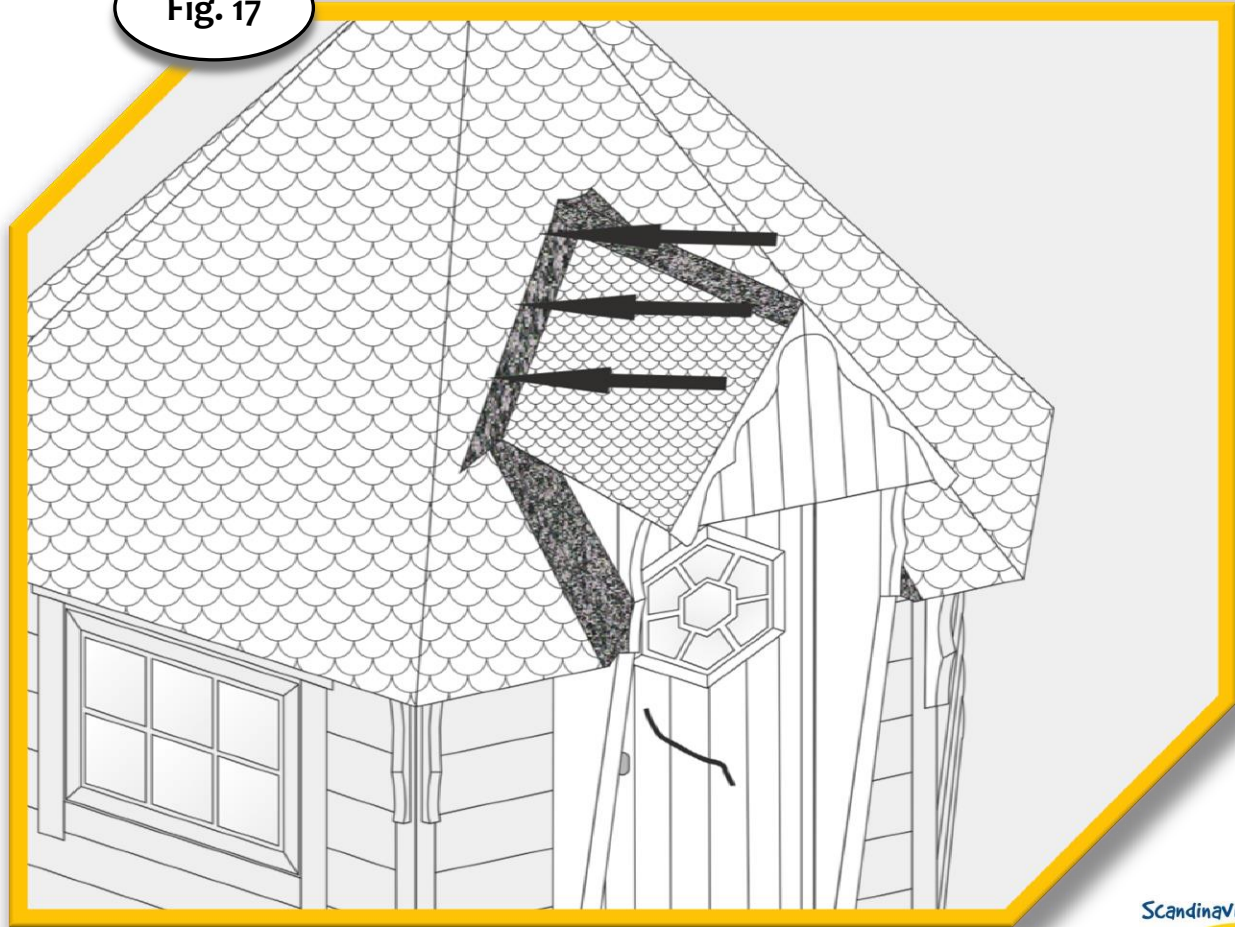


Position the canopy roof and align it. Fasten it through the hole in the roof element with the door frame from inside using three 5x70 screws. Pre-drill the door planks and fasten the canopy roof from outside using two 5x70 screws. Fit the door panels and fasten them with two 3.2x30 screws

Paper laterally at the roof

Fig. 17

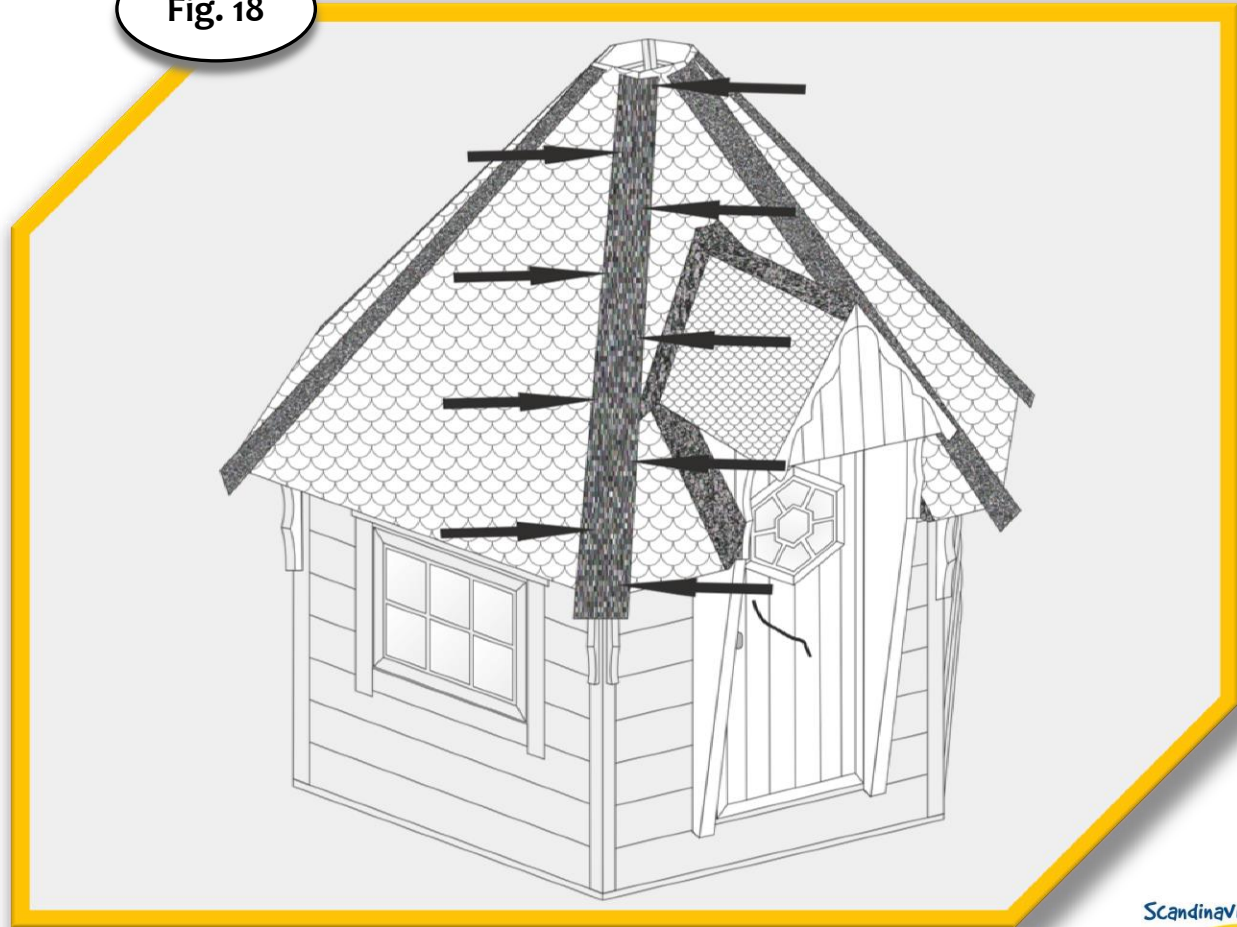
Place the tar paper under the shingles in such a way that a valley is created through which the water can escape. Cut the ridge layer into a V-shape. Afterwards push the ends under the shingles and nail everything to the roof.



The roof layers

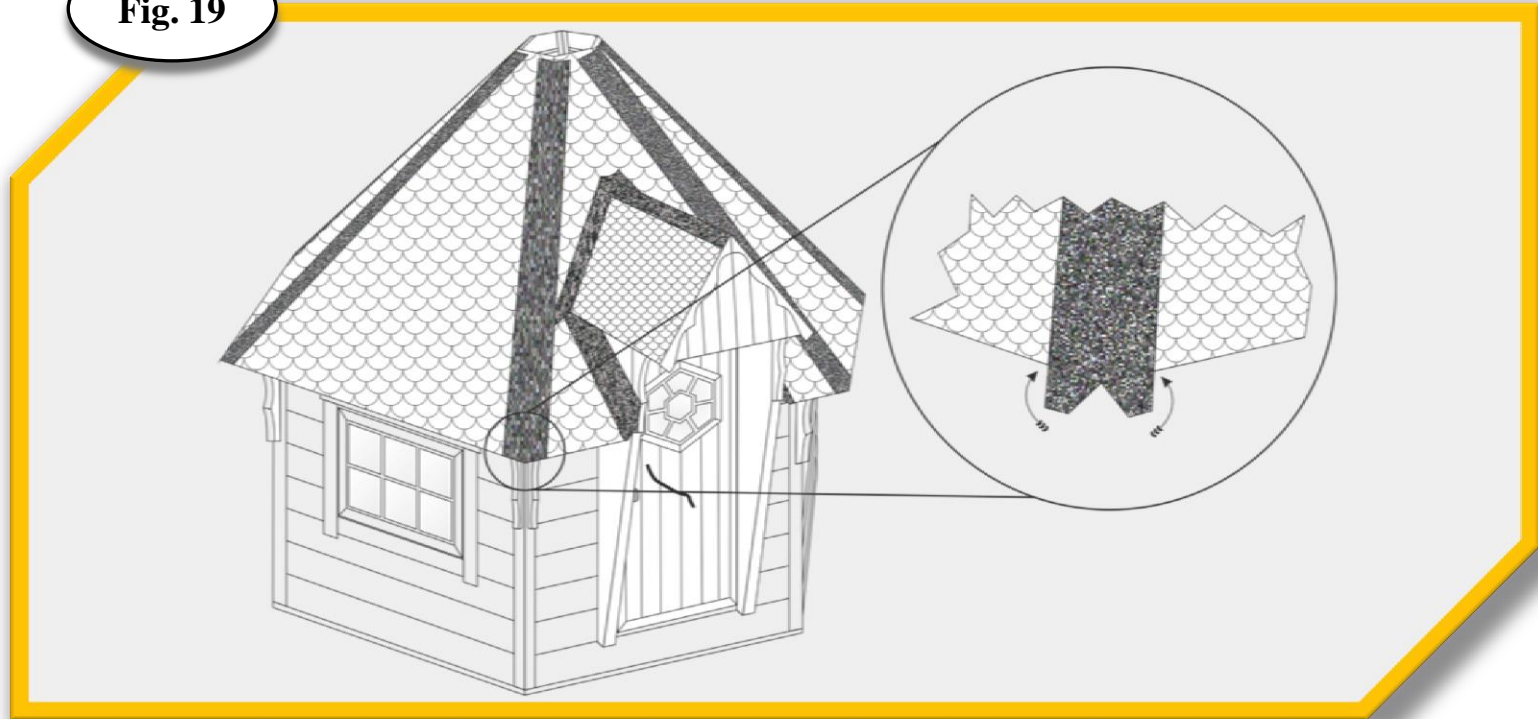
Cut to size the roof layers with a protrusion of approx. 18 cm and nail these to the roof. The layers fuse together by themselves under solar exposure.

Fig. 18



Cut the V-shape

Fig. 19

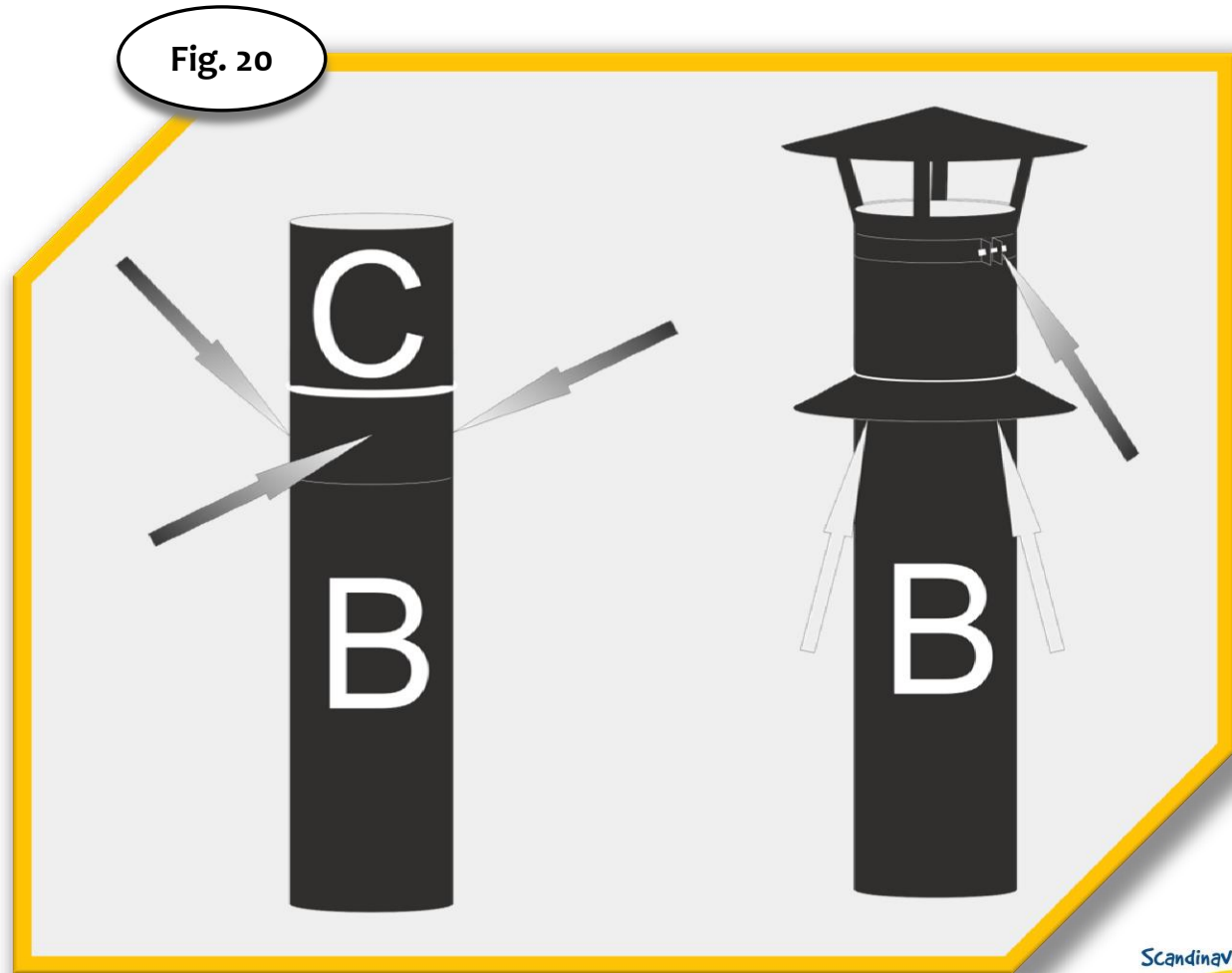


Cut a V-shape into the tar paper, fold the ends over and nail them to the roof element.

Assembling the smoke ductible

Fig. 20

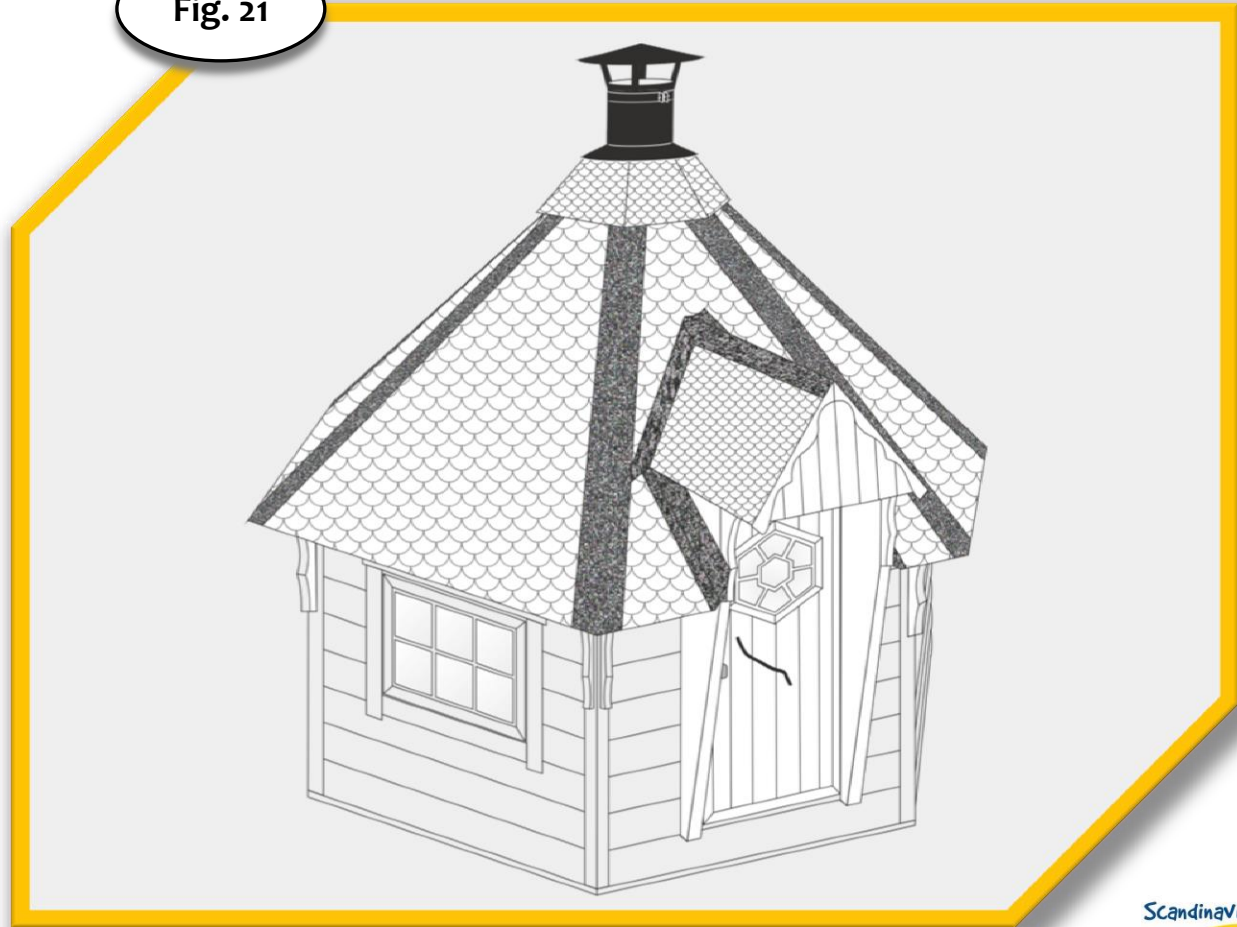
With the short end at the bottom place tube “C” onto tube “B” and fasten the two with three tapping screws from the barbeque equipment. Position the rain collar in the fold of tube “C”. Seal the collar from the bottom with silicone. Now place the smokestack cover onto tube “C” and fasten with a wing nut.



Roof hat and smokestack

Fig. 21

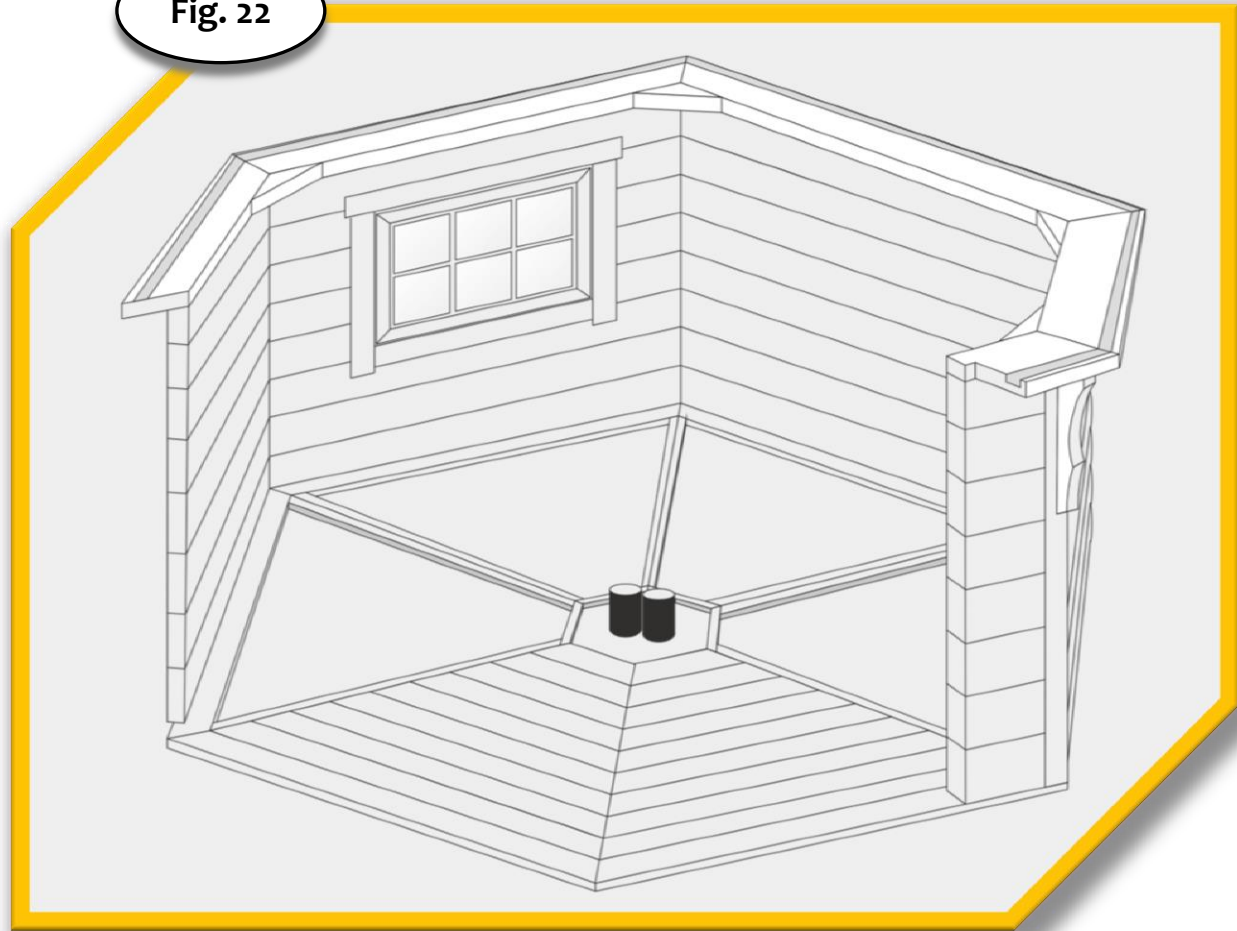
Position the hat on the roof and align. Fasten the hat with two 5x120 screws. Insert the pre-mounted smokestack from the top.



Modular floor

Lay out the substructure as indicated and fasten the joints with 5x70 screws. Lay down the modular floor elements and align them. Screw them to the substructure.

Fig. 22



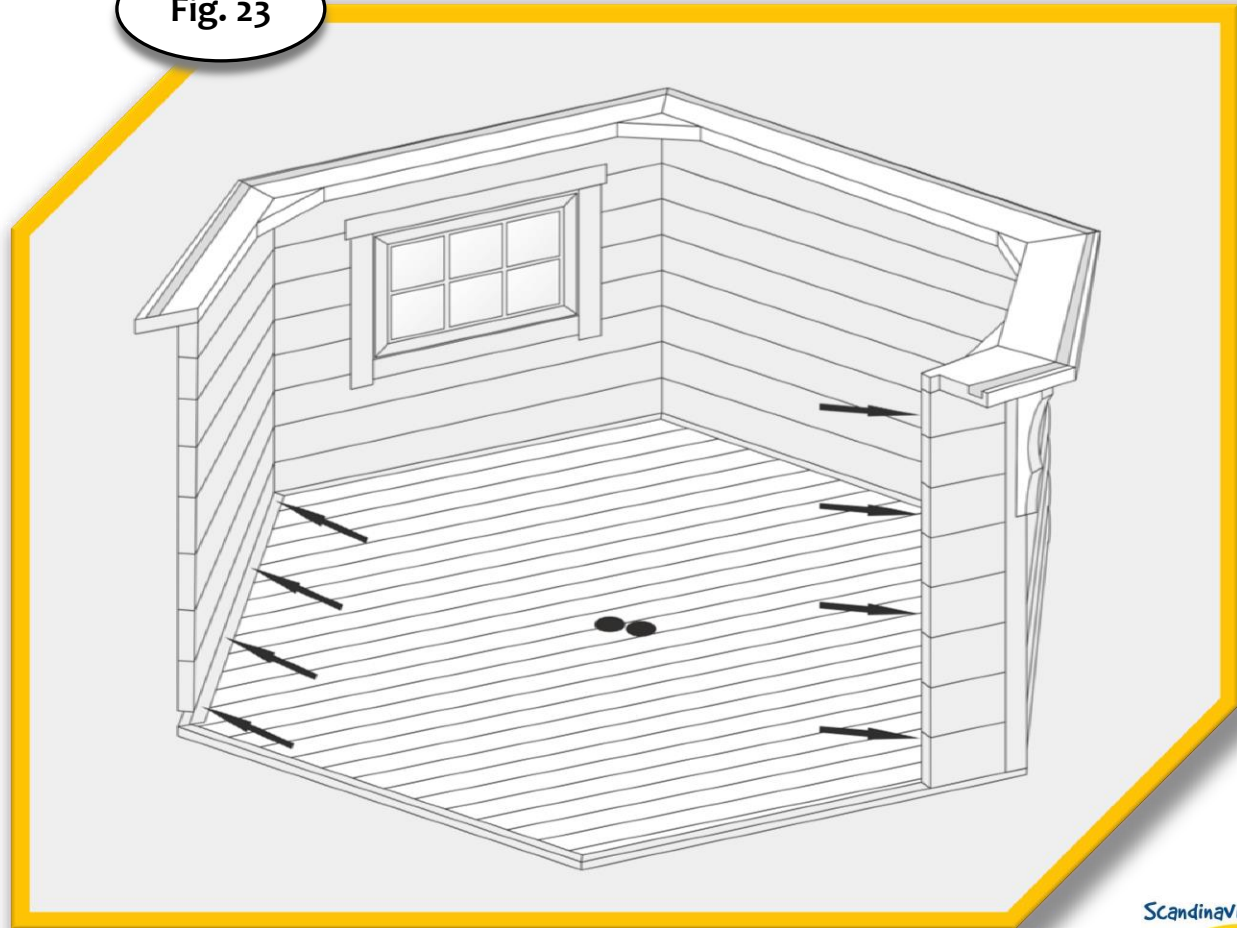
Wiring tip:

Behind the wall- and ceiling battens will be space for the wiring. **Always use a specialized company to perform the electrical installation.!!**

Base- and doorboards

Fig. 23

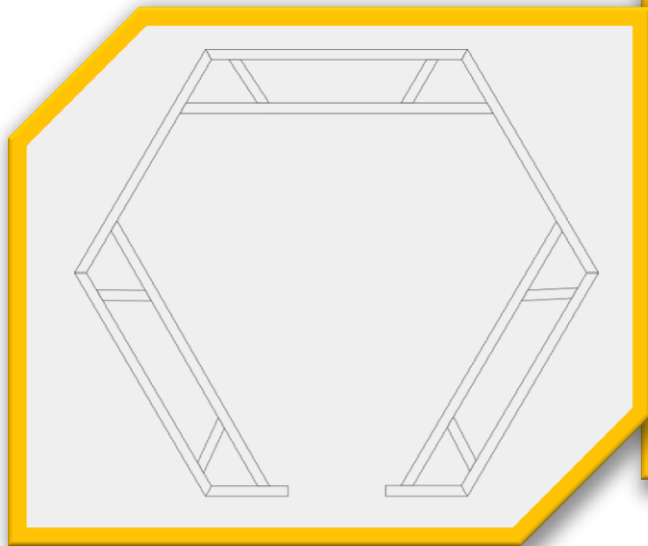
Measure the baseboards and fasten them with 3.2x30 screws. Use the same boards for the paneling the inner door frame. Fasten these with 3.2x30 screws.



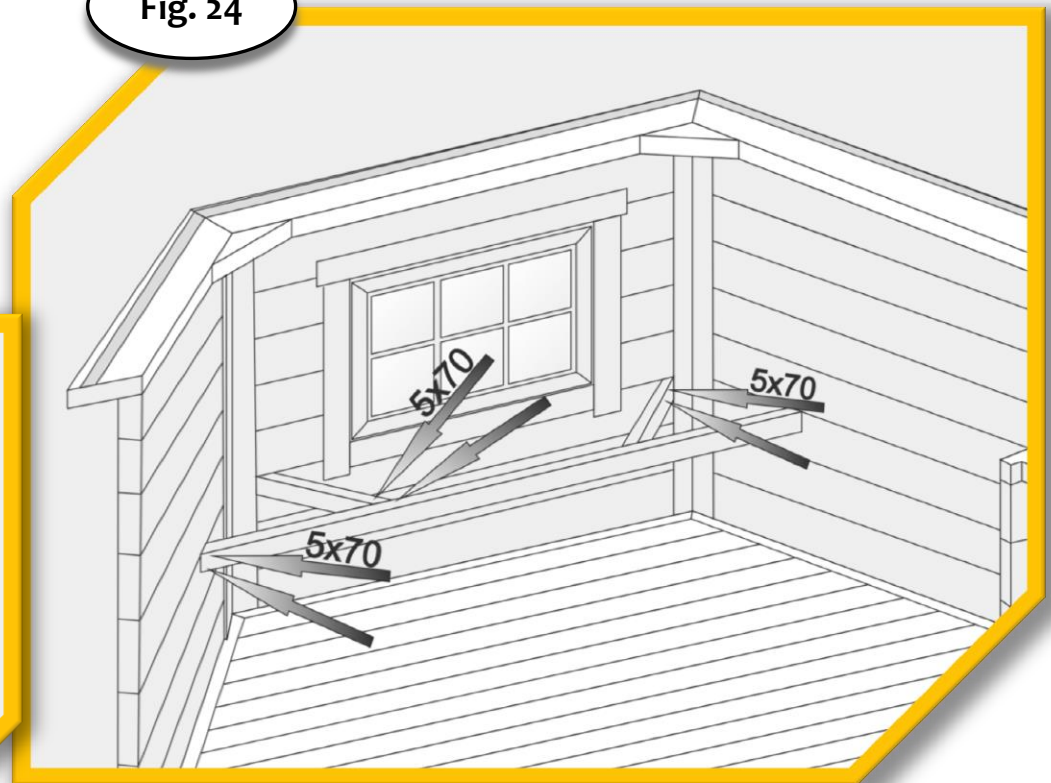
Bench holders

Fasten the short bench holders to the wall with two 5x70 screws each. Do the same with the long bench holders.

Fig. 24



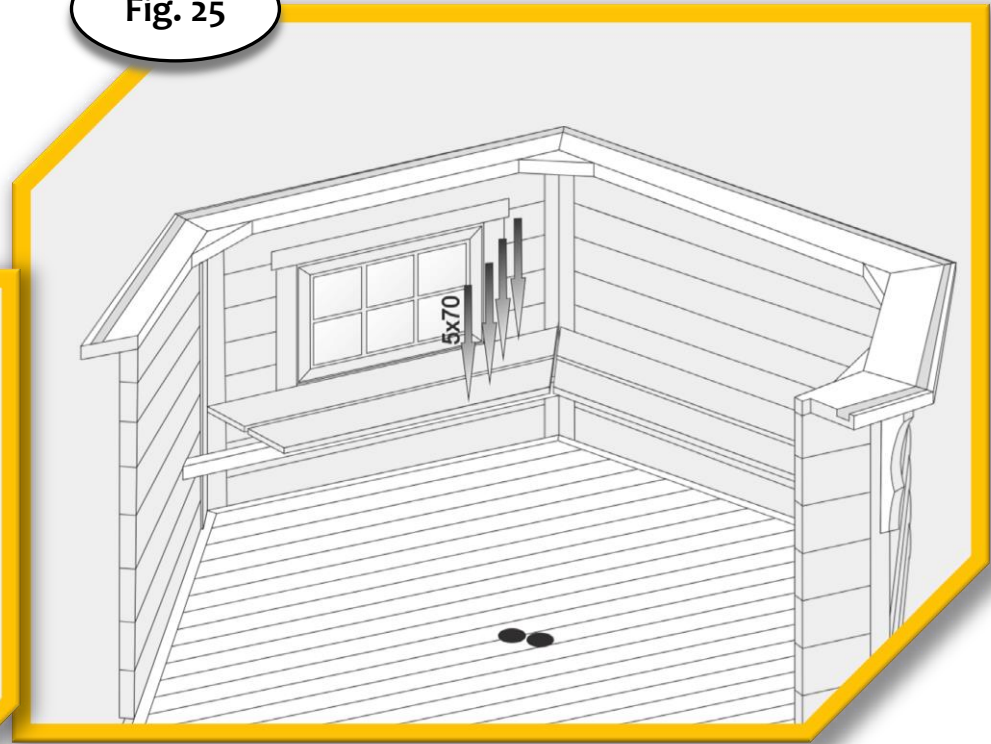
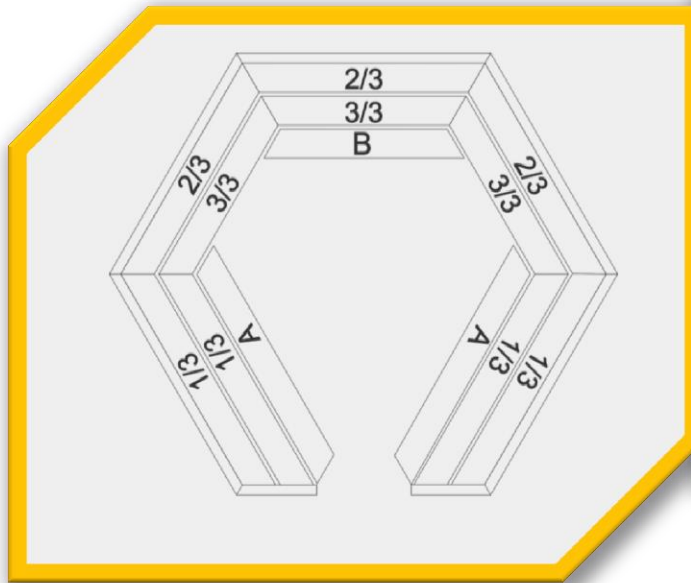
Layout of bench holders.



The benches

Position the banks as described and fasten them to the bench holders from the top with 5x70 screws.

Fig. 25



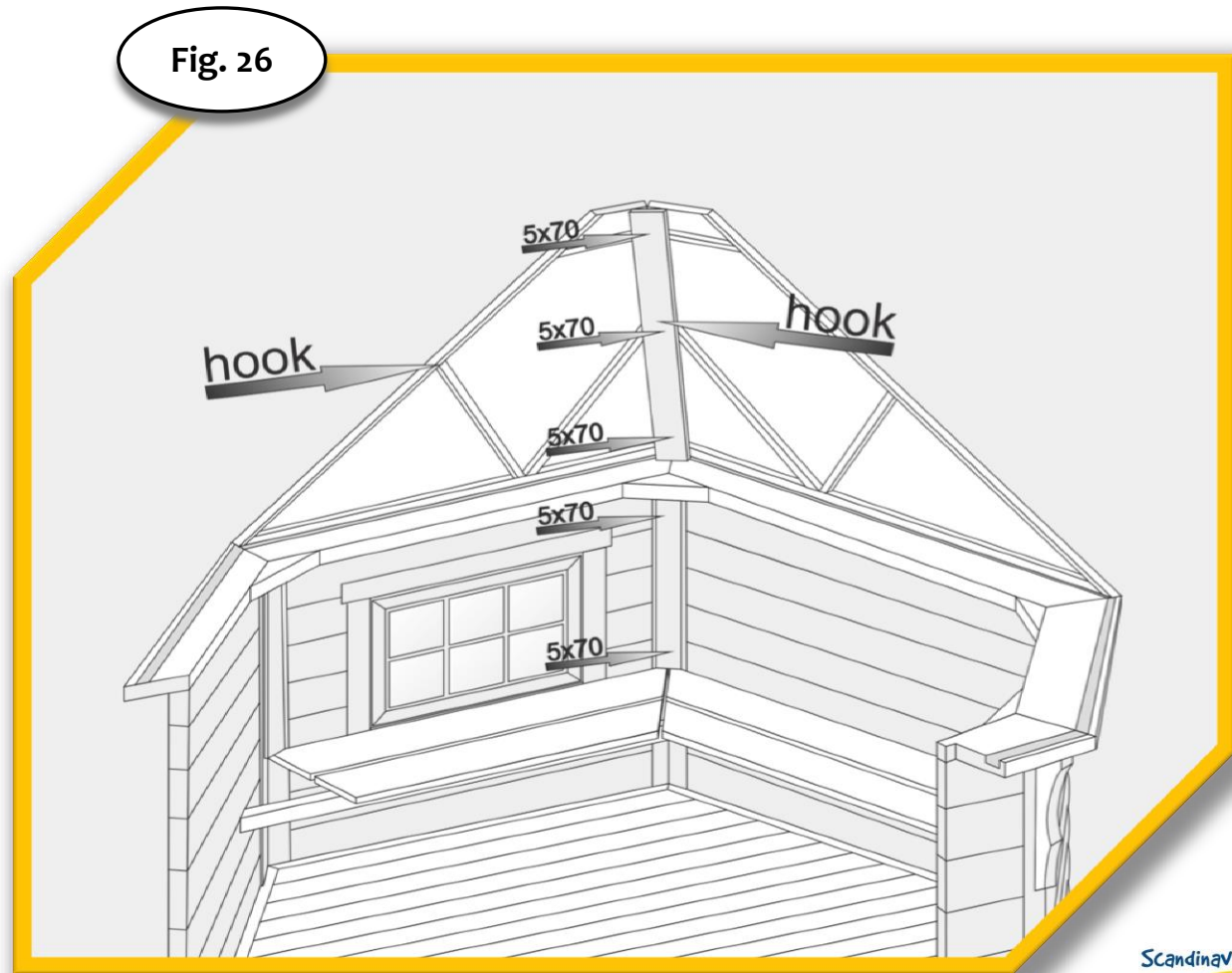
Layout of benches with 3-piece set

The wall and roof battens

Fig. 26

Fasten the wall- and roof battens as shown with 5x70 screws.

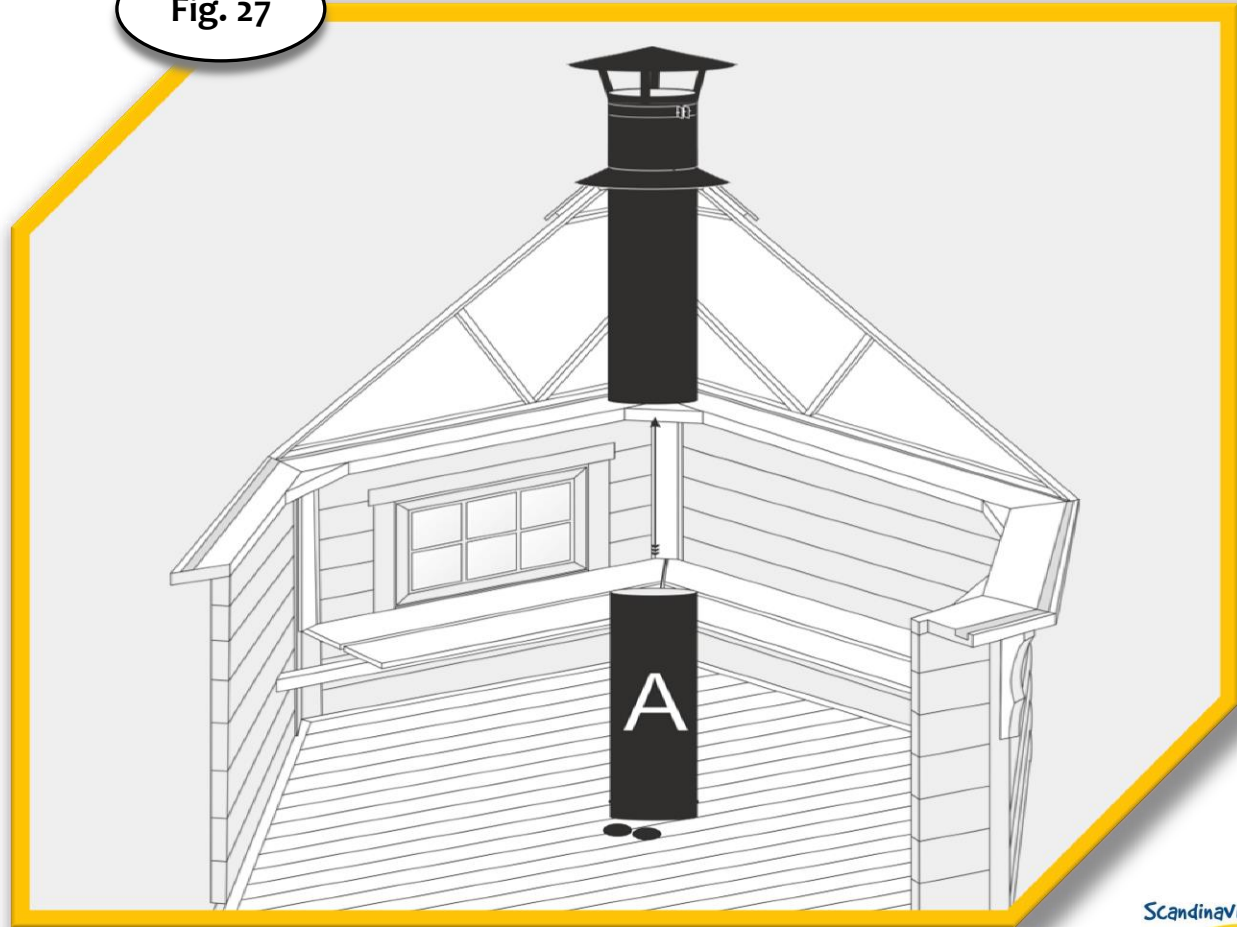
Attach the hooks for mounting of the stack at the joins of the door element and the element on the opposite side.



Complete smoke ducts

Fig. 27

Push tube “A” into tube “B” and turn clockwise until it supports itself.



Chains and stack

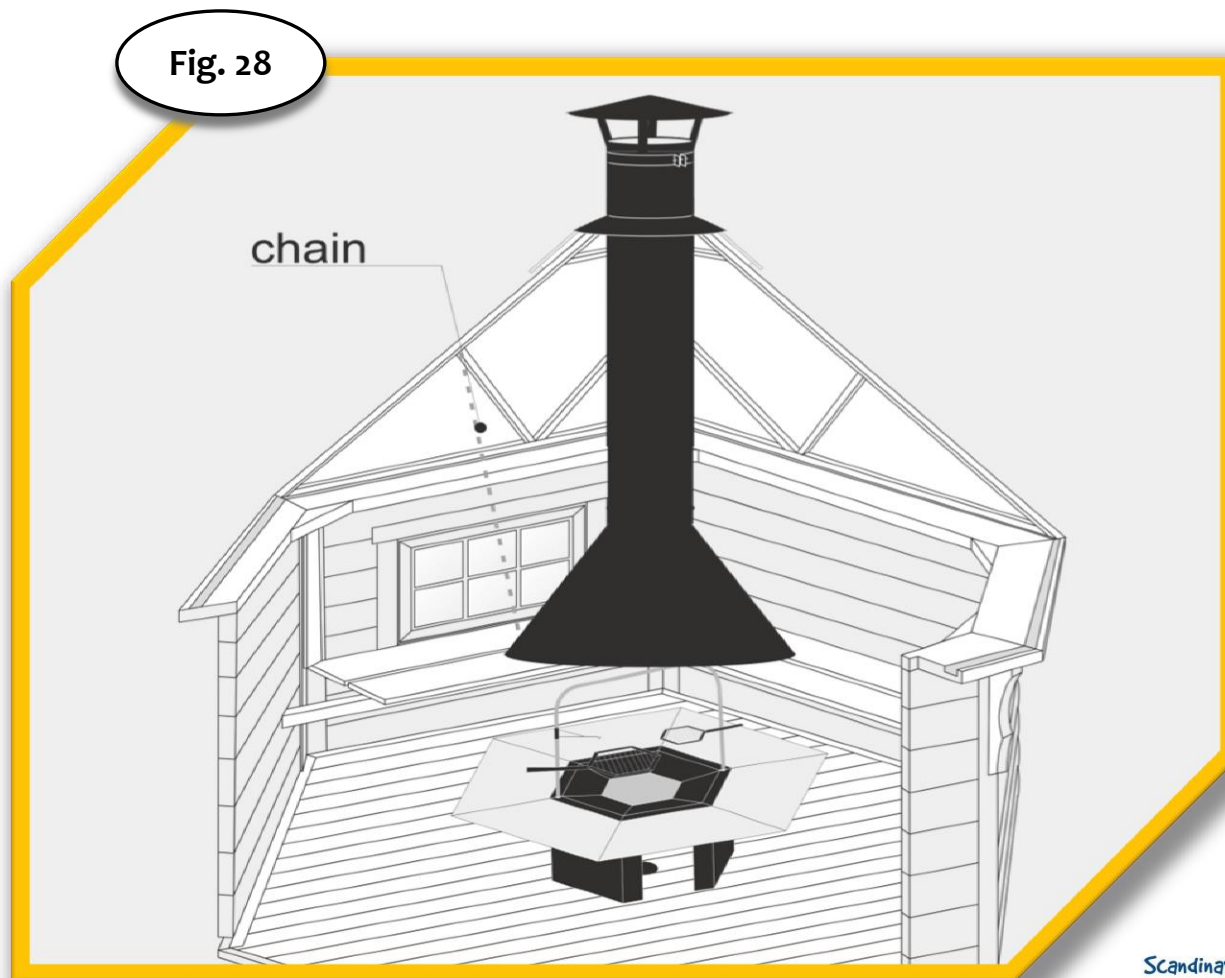
Fig. 28

Attach the chains to the hooks screwed into the roof.

Attach the S-shaped hooks to the stack and hang it on the chains. Align the stack.

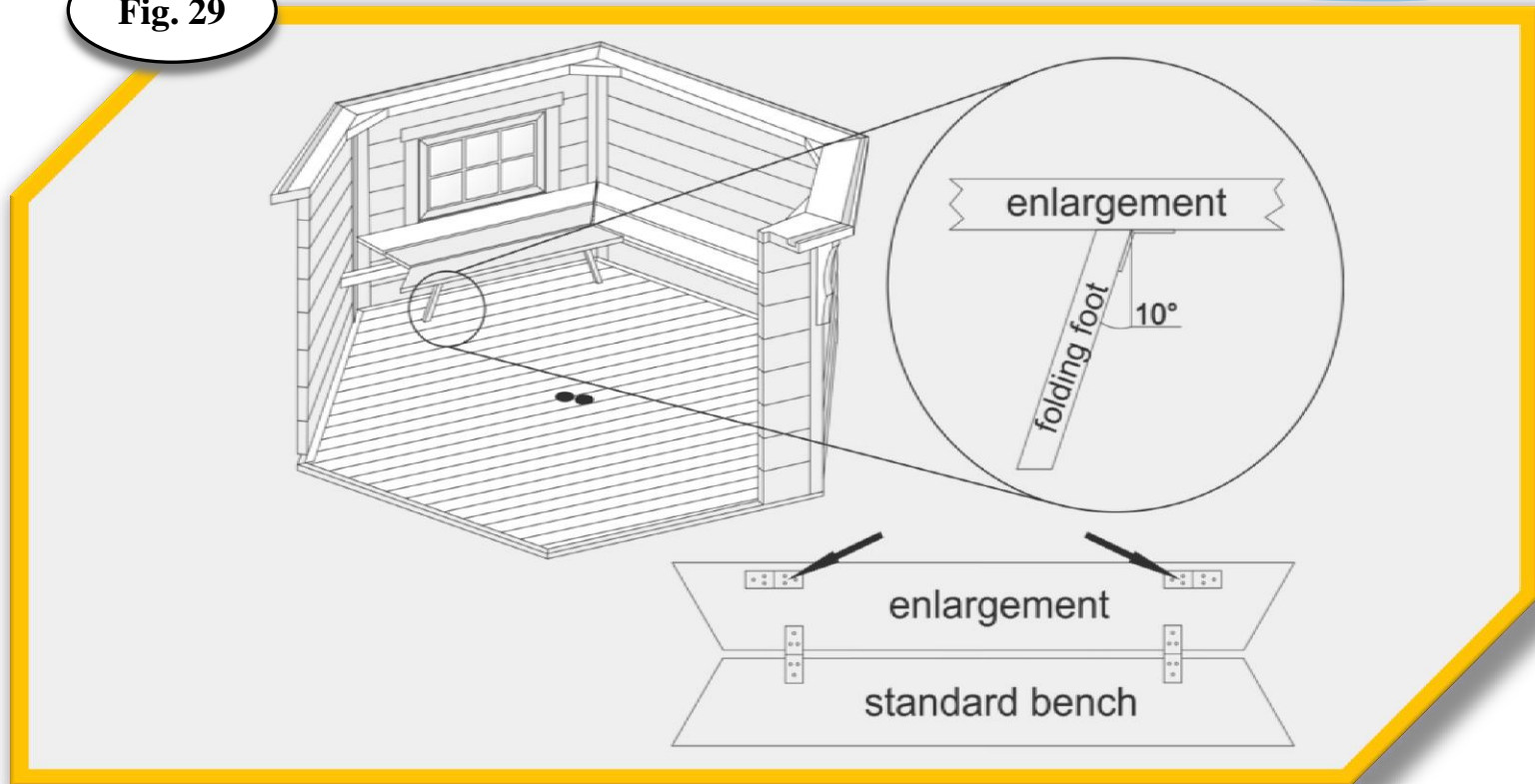
Attach the barbecue accessories from the barbecue drawer to the bracket and fasten the bracket.

Hang the tables into the barbecue.



Seat enlargements

Fig. 29

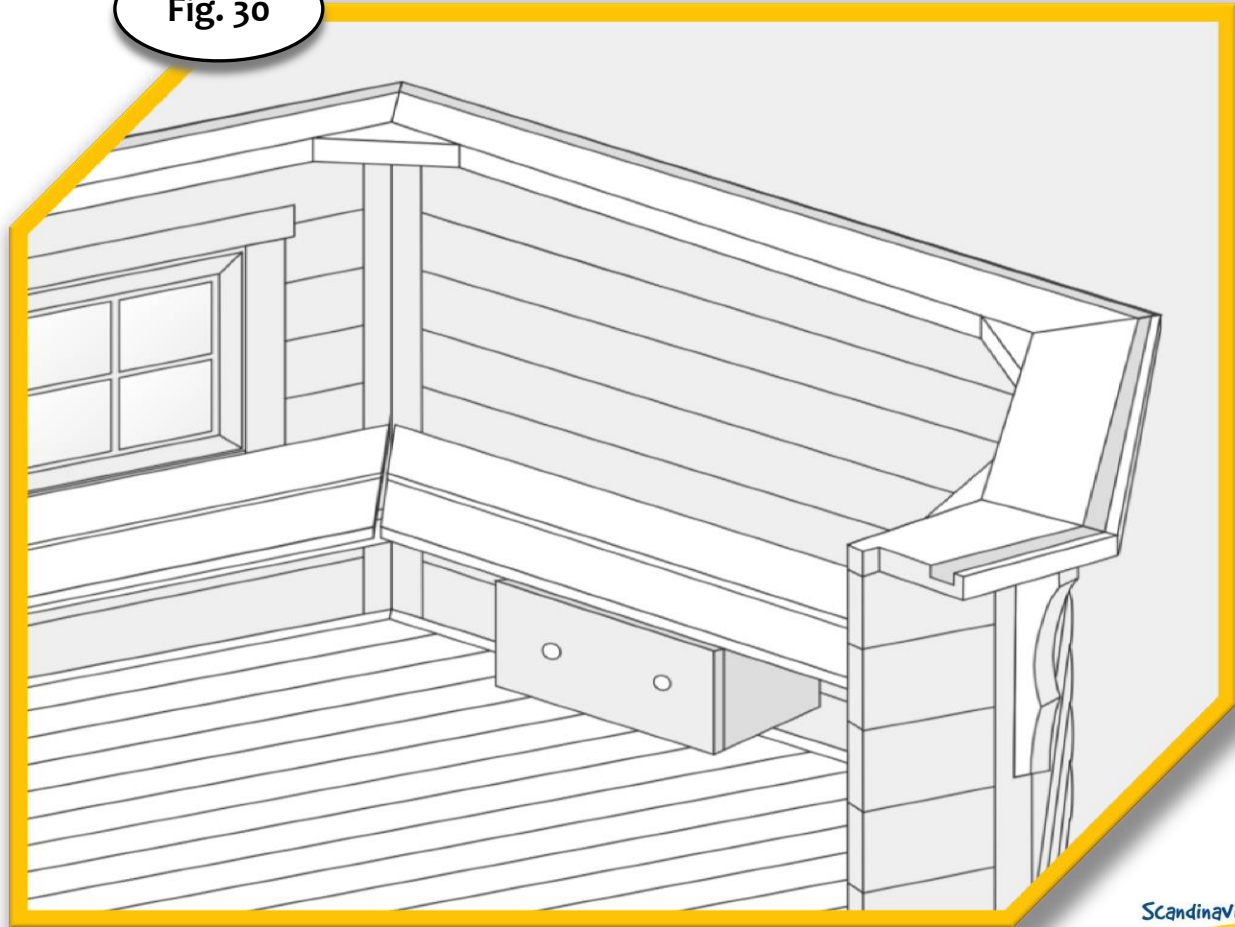


Lay the standard bench and the enlargement onto a flat and even surface with the bottom side facing up. Join the two bench elements with hinges using 4x40 screws. Fasten the hinges for the folding feed only at the indicated sides. Screw together the set with the bench holders. Cut the folding feet to size accordingly and screw them to the enlargement.

The drawer

Fig. 30

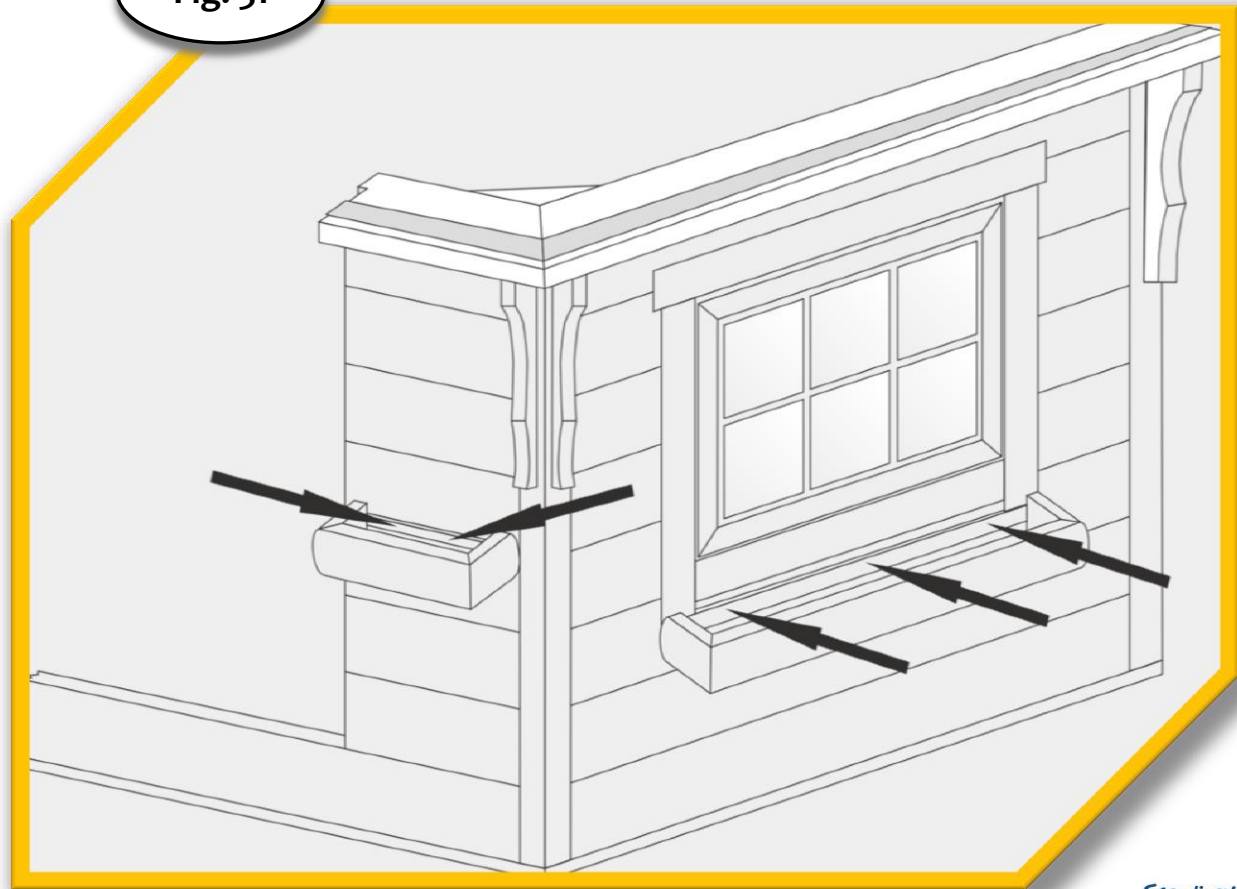
Remove the drawer from the bracket.
Fasten the bracket from the bottom with the benches using six 4x40 screws.
!!! Drawers cannot be mounted in areas with seat enlargements. !!!



The flower boxes

Fig. 31

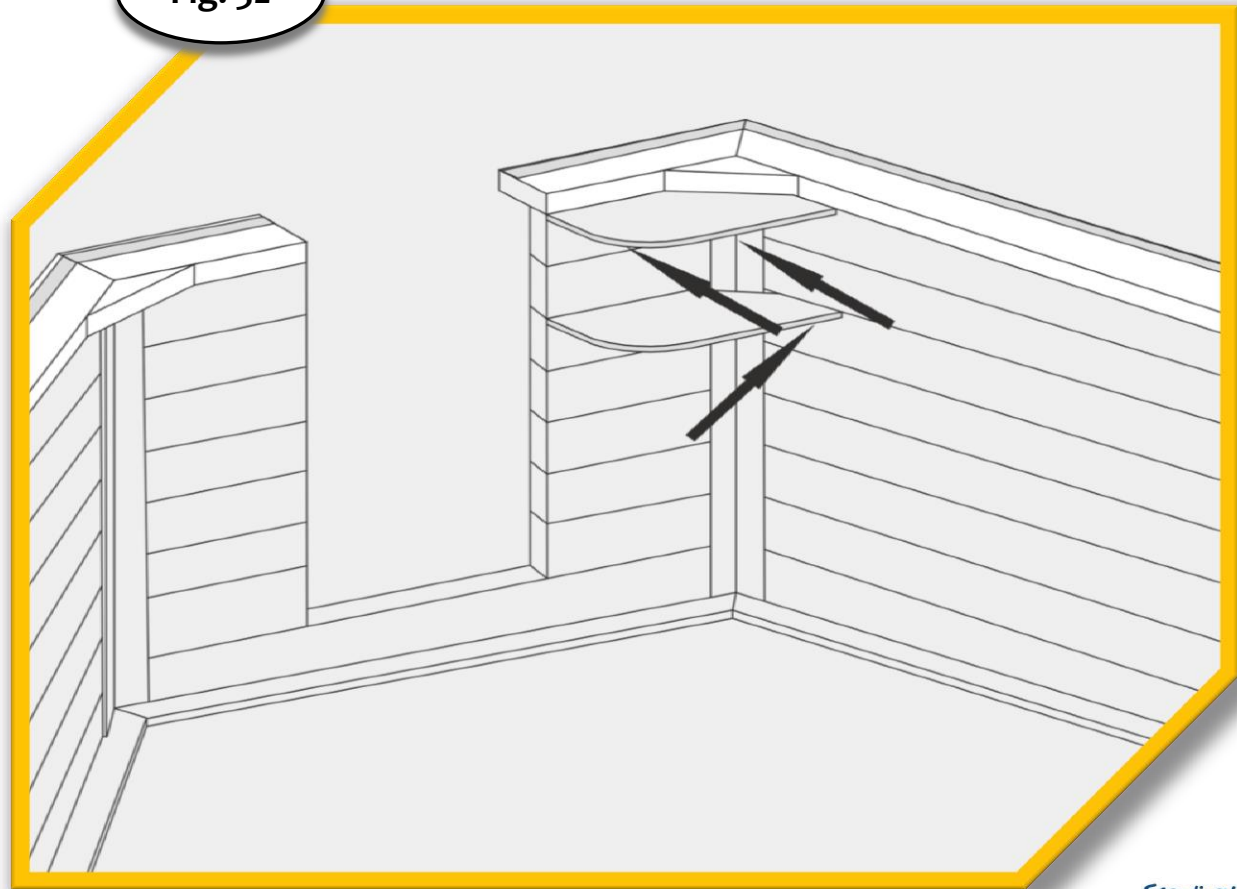
Put the flowerboxes into place and screw them into position using three 5x70 screws for the window, and two 5x70 screws for the door boxes.



The shelves

Fig. 32

Put the shelves into place and scew into position using three 5x70 screws per shelf.



Interior- and exterior painting

Exterior area:

As a first treatment we recommend to use a coat of blue-stain-protection. Subsequently, at least two coats with a color of your choice. We recommend color products from Remer and Osmo.

Interior area:

For longer life and visual enhancement we recommend sealing the floor, benches, tables and shelves with a parquet lacquer.

For questions or suggestions, please contact a member of our staff.

Production management:

Dispatcher and customer service: