

A		B		C		D		E		F	
6 x	25201	12 x	25202	12 x	26104	8 x	32867	12 x	25405	2 x	22809

G		H		I		J		K		L	
1 x	21511	1 x	21510	2 x	21507	1 x	52512	2 x	52189	2 x	52176

M		N		O		P		Q		R		S	
2 x	52184	2 x	52161	2 x	52186	1 x	25035	1 x	25030	1 x	25028	1 x	25029

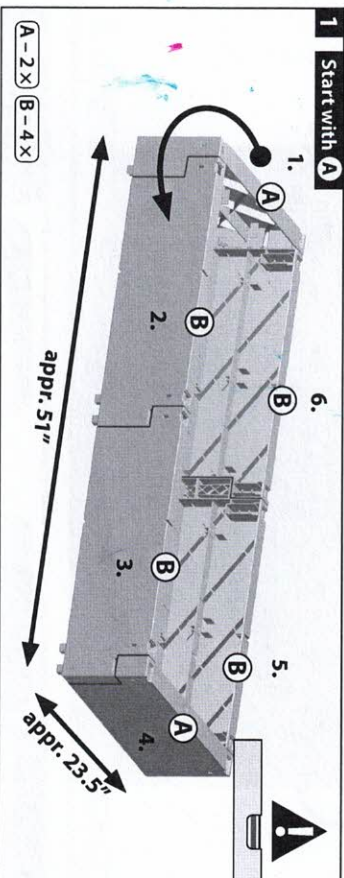
T		U		V		W		X		Y		Z	
1 x	25033	2 x	25787	4 x	26104	2 x	25534	1 x	26782	1 x	25940	4 x	26808

Required tools!

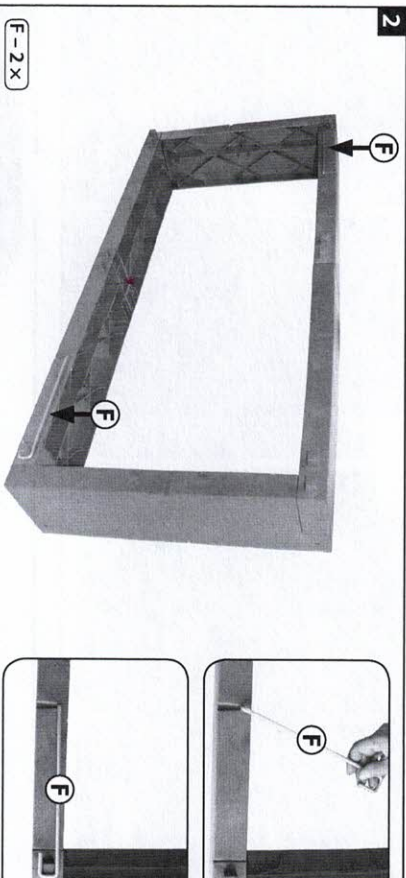


Please read these instructions prior to assembly and keep them for further referer

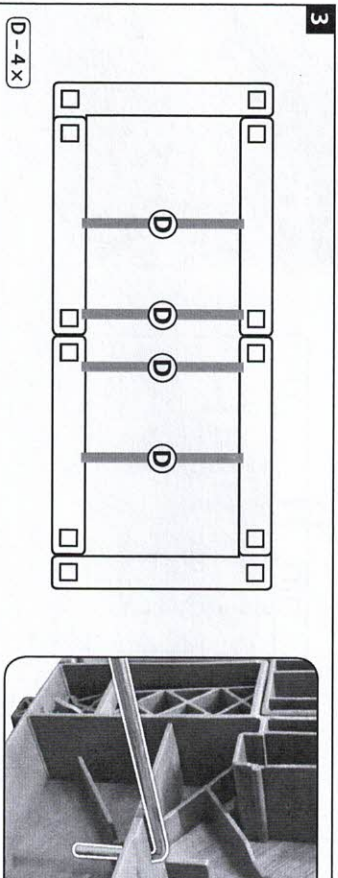
1 Start with A

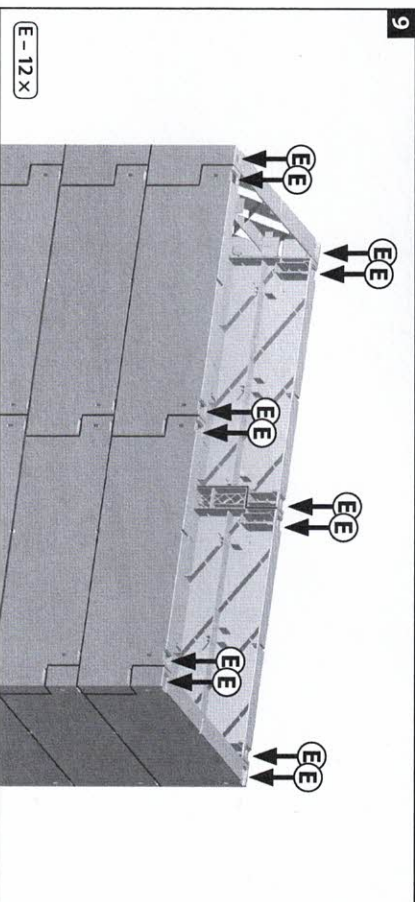
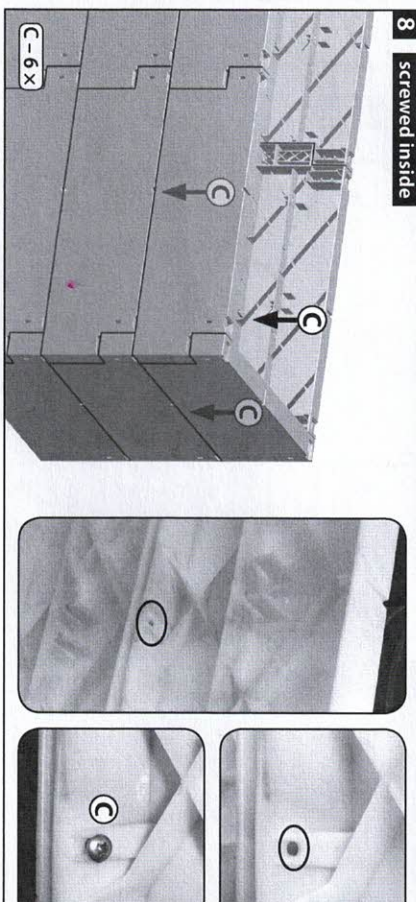
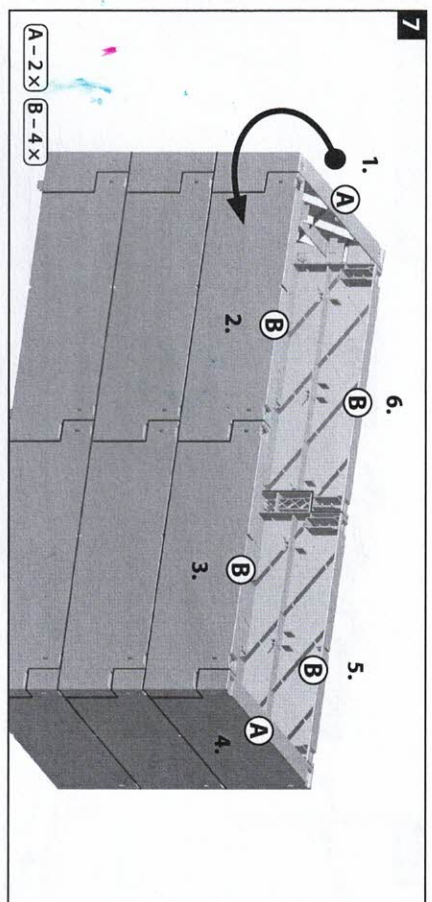
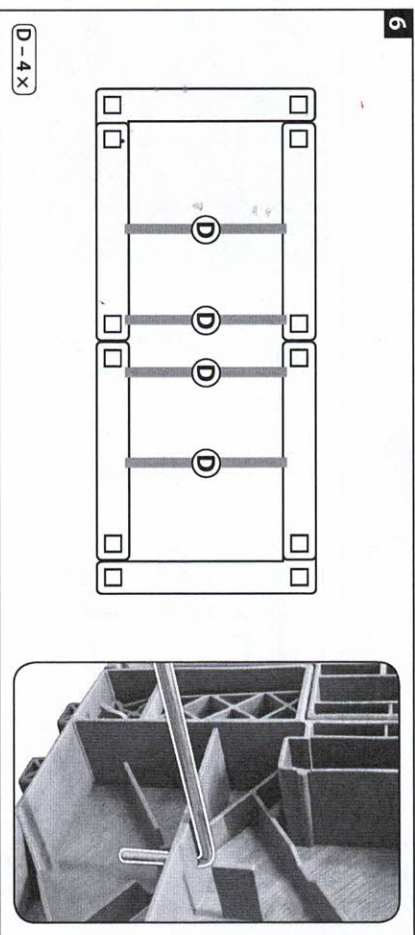
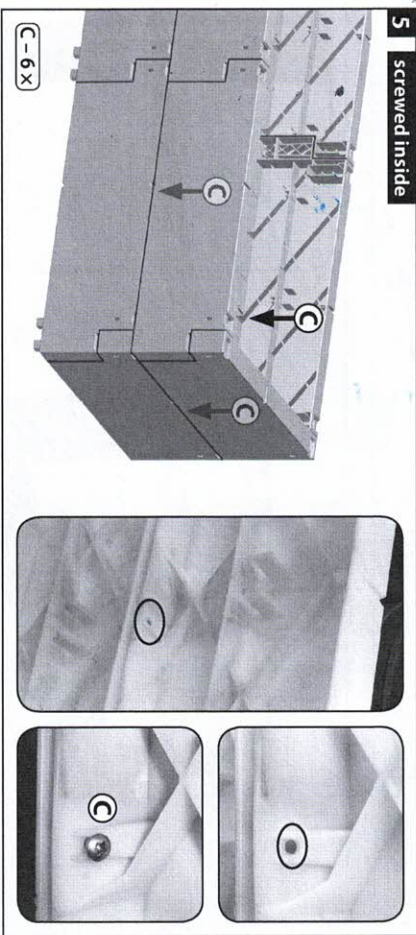
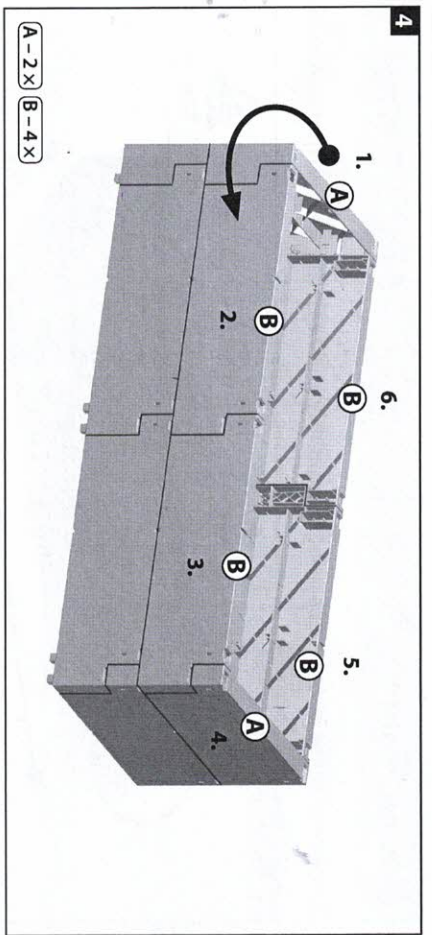


2

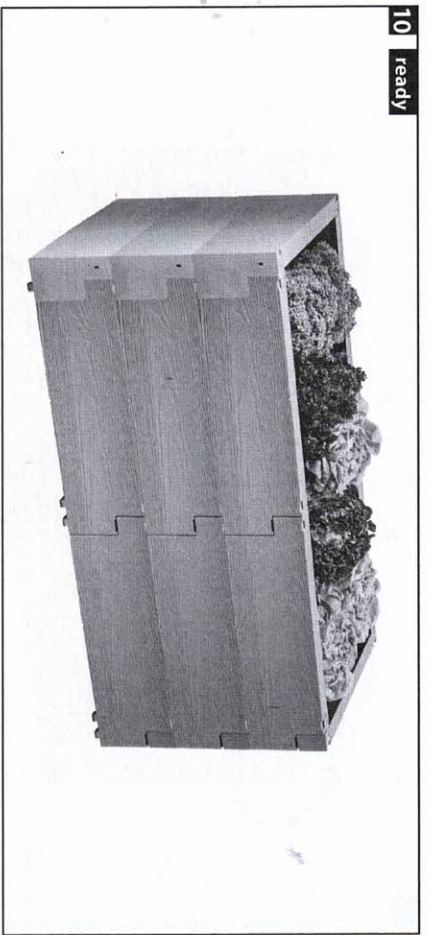


3

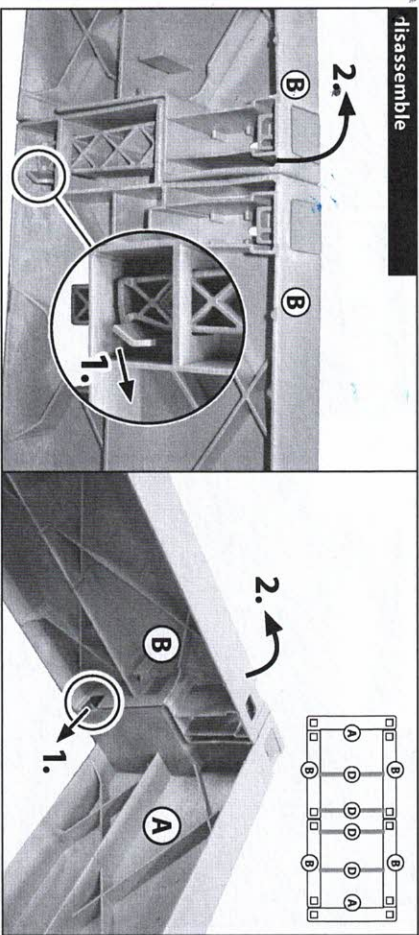




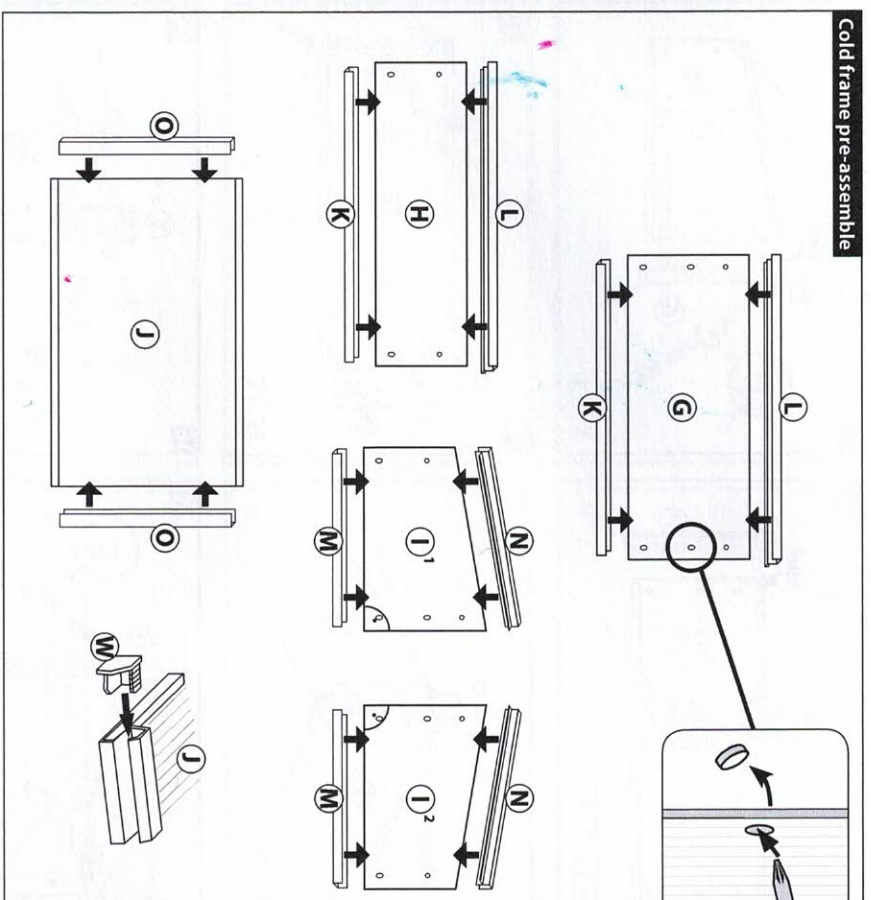
10 ready

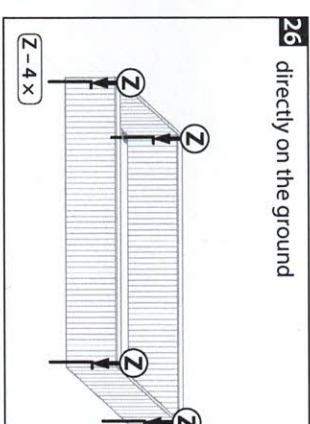
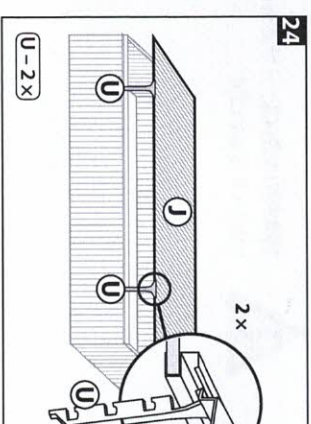
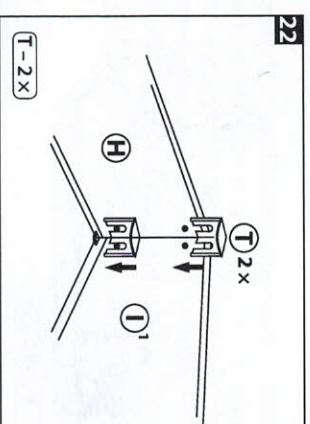
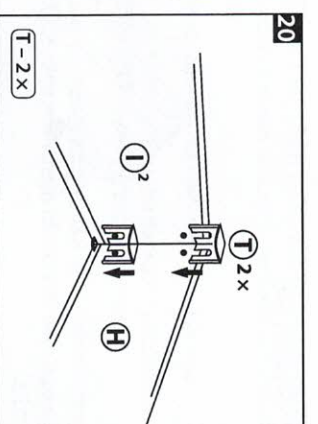
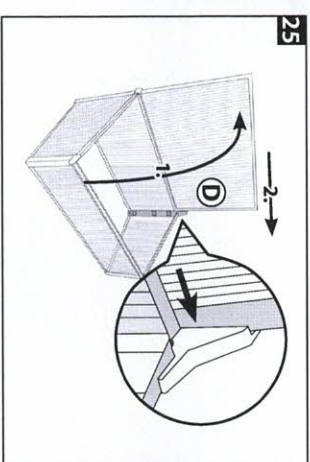
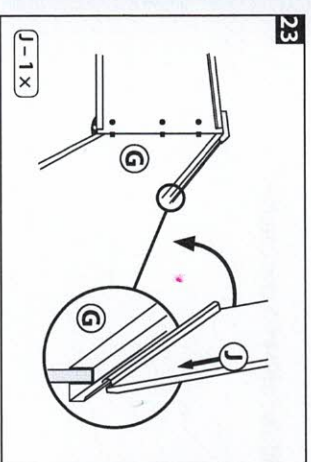
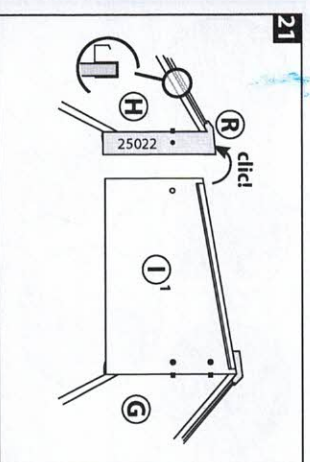
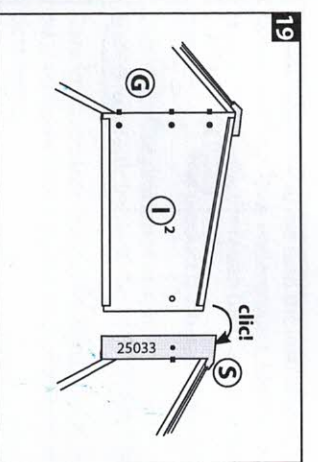
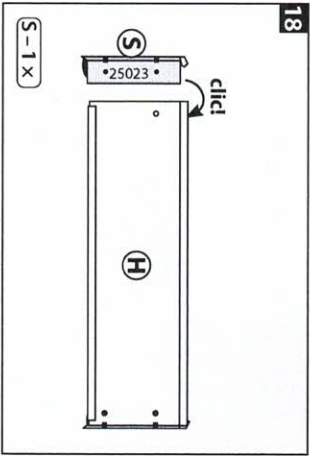
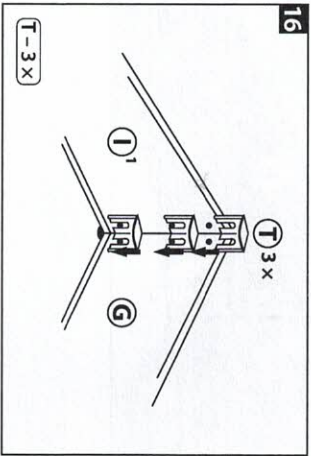
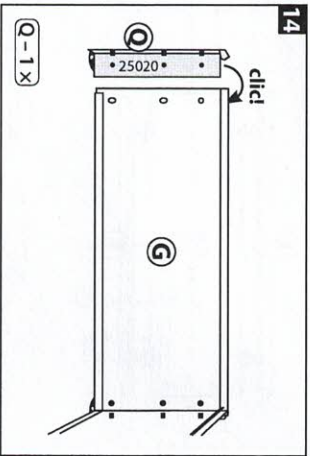
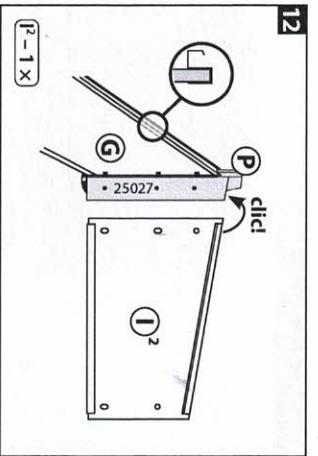
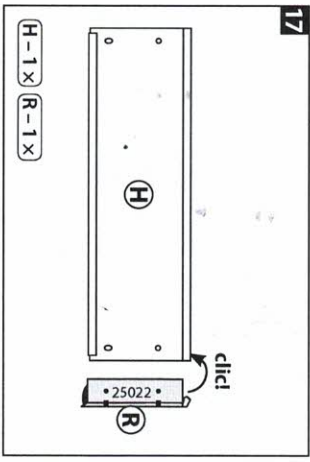
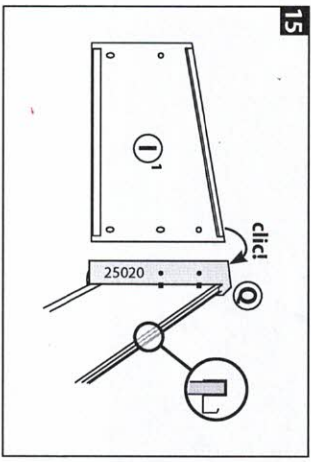
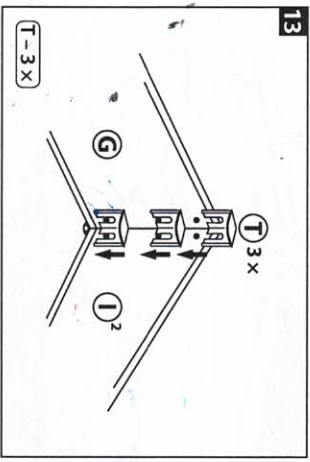
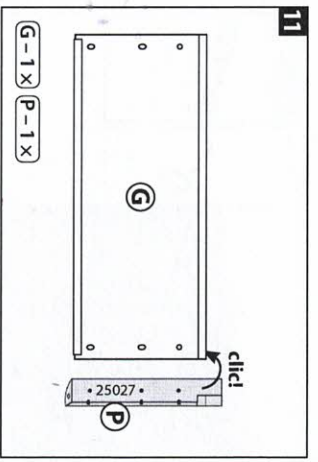


disassemble

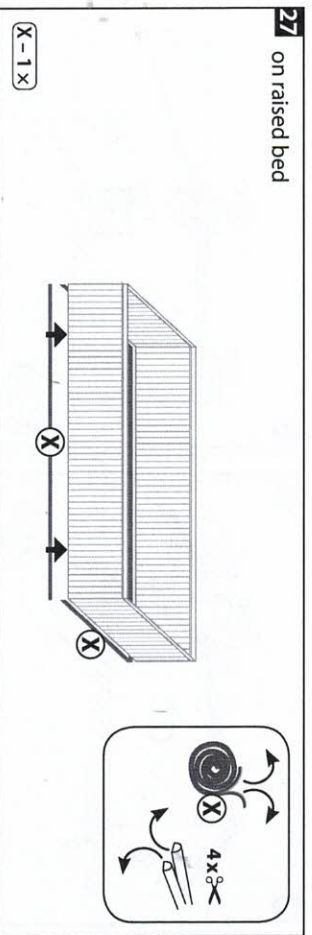


Cold frame pre-assembly

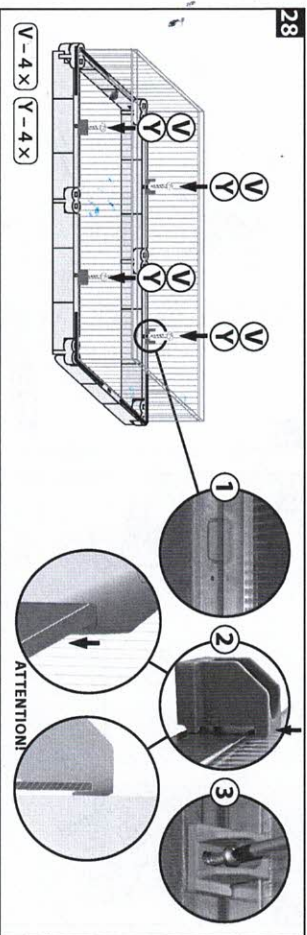




27 on raised bed



28



WARNING: Close the windows and lock the catches when it is windy!

Before assembly, please read the instructions and then keep them for further reference. Place raised bed on a level underground, ideally on garden soil, but definitely on solid ground. If ground is too soft, the raised bed can be damaged.

Intended use: This product is intended for private use and not for commercial purposes.

This PE-packaging is not a toy! Risk of suffocation! Please dispose the packaging into the station for plastic immediately after unpacking. (PE is non-polluting and non-toxic.)

Care instructions: This quality product was produced with weatherproof materials and may be washed down with a garden hose. Do not clean with sharp or rough objects or with aggressive detergents.

Attention – max. 4 rows high = 31,5"!

Filling the raised bed: Uneven filling of the raised bed can exert too much pressure on the bracket and deform the raised bed. The raised bed must be filled in accordance with the construction progress, i.e. after each row of building blocks with struts, the filling material must be sifted by hand. In any case, make sure that no heavy parts such as stones or clods of earth fall onto spacer tubes or struts and deform them. Mechanical insertion is not recommended.

1. First stack up the chopped green material and kitchen waste – approx. 10 cm. Make sure there are no weeds or diseased plants in it.
2. Cover everything with a layer of sieved garden soil.
3. Pile up a layer of ripe, shifted compost and fill it with potting soil.



Raised bed "Timber" kombi set

Art. no. 20
Dim.: about 51" x 23.5" x h 35.5"
Litho-Nr. 998
Anl.-Nr. 022

Assembly instructions



Guaranteed heavy metal
formaldehyde and BPA
no

JUWEL H. Wüster GmbH · A-6460 Imst, Industriezone 19, Tel. 0043-5412-69400
or D-82467 Garmisch-Partenkirchen, Bahnhofstr. 31, Tel. 0049-8821-1679
kund@juwel.com · www.juwel.com

USA Distributor: Exaco Trading · Customerservice@Exaco.com
1-877-760-8500 ext 701 · 10203 Metropolitan Dr · Austin, TX 78758

JUWEL H. Wüster GmbH · A-6460 Imst, Industriezone 19, Tel. 0043-5412-69400
or D-82467 Garmisch-Partenkirchen, Bahnhofstr. 31, Tel. 0049-8821-1679
kund@juwel.com · www.juwel.com

USA Distributor: Exaco Trading · Customerservice@Exaco.com
1-877-760-8500 ext 701 · 10203 Metropolitan Dr · Austin, TX 78758